


 Patent
Pending

Features & Options

- Field Selectable Output, Ranges and WC or Pascal Units
- Optional Attached Static Pressure Probe So the Unit Doesn't Require Two Trades to Install
- Standard Range (-5 to +5 WC or -1,250 to +1,250 Pascals) or Low Range (-1.0 to +1.0 WC or -250 to +250 Pascals)
- Free NIST Certificate Included with Each Unit at No Extra Charge
- Rugged IP66, NEMA 4 Enclosure with Hinged Cover
- Custom Pressure Ranges Can be Created in the Field
- Touch Interface Through the Cover, No More Dip Switches
- Display That Aids in Troubleshooting by Showing Pressure Over Entire Operational Range



Touch Pressure Sensor


 5
YEAR
WARRANTY

Specifications

Power:

7 to 40 VDC (4 to 20 mA Output)
7 to 40 VDC or 18 to 32 VAC (0 to 5 or 1 to 5 V Output)
13 to 40 VDC or 18 to 32 VAC (0 to 10 or 2 to 10 V Output)

Power Consumption:

20 mA max, DC only at 4 to 20 mA Output
4.9 mA max DC at 0 to 5 VDC or 0 to 10 VDC Output
0.12 VA max AC at 0 to 5 VDC or 0 to 10 VDC Output

Load Resistance:

4 to 20 mA Output 850 Ω Maximum @ 24 VDC
0 to 5 V or 0 to 10 V output 1K Ω minimum

Accuracy for Standard Pressure Ranges at 72°F:

$\pm 0.25\%$ of range

Accuracy for Low Pressure Ranges at 72°F:

$\pm 0.5\%$ of range for the three lowest unidirectional and bidirectional ranges

$\pm 0.25\%$ of range all other ranges

Stability: $\pm 0.25\%$ F.S. per year

Environmental Operation Range:

14°F to 140°F (-10°C to 60°C)

Storage Temperature: -40 to 203°F (-40 to 95°C)

Temperature Error for Standard Ranges:

0.01% FS/°F (0.02% FS/°C)
(± 5.0 " W.C. @ 14 to 140°F [-10 to 60°C])

Temperature Error for Low Ranges:

0.04% FS/°F (0.07% FS/°C)
(± 1.0 " W.C. @ 14 to 140°F [-10 to 60°C])

Overpressure: Proof: 27.68 in W.C. (1 PSI),
Burst: 41.52 in W.C. (1.5 PSI)

Wiring:

2 wires (4 to 20mA Current loop)*
3 wires (AC or DC powered, Voltage out)*

Humidity: 0 to 95% RH, non-condensing

Port Connection:

1/4" tubing (1/8" to 3/16" I.D.)

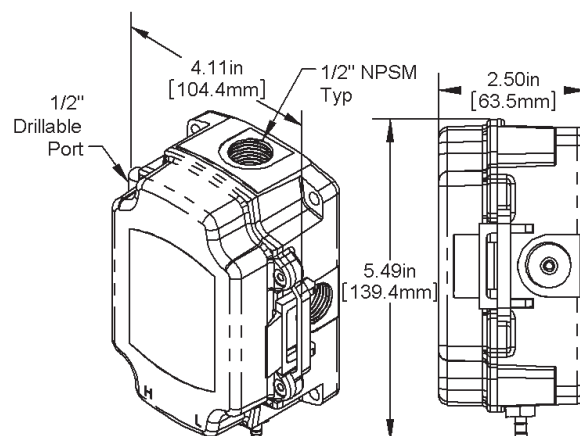
Enclosure Material:

UV-resistant Polycarbonate, UL94 V-0

Enclosure Rating: IP66, NEMA 4

Mounting:

Four external tabs with holes for #10 screws



*BAPI recommends that you do not run wiring for the pressure transmitter in the same conduit as line voltage wiring or with wiring used to supply highly inductive loads such as motors, generators and coils.





“Touch” Pressure Sensor

Zone Pressure Touch Sensors (ZPT)

Ordering Information (for units without a factory specified range or output)

<u>PART NUMBER</u>	<u>DESCRIPTION</u>
ZPT-SR-BB-NT-D	Standard Range Unit, Display, No Tube or Probe included
ZPT-SR-BB-ST-D	Standard Range Unit, Display with Static Pressure Probe
ZPT-SR-BB-AT-D	Standard Range Unit, Display with Attached Static Probe
ZPT-LR-BB-NT-D	Low Range Unit, Inches WC, Display, No Tube or Probe included
ZPT-LR-BB-ST-D	Low Range Unit, Inches WC, Display with Static Pressure Probe
ZPT-LR-BB-AT-D	Low Range Unit, Inches WC, Display with Attached Static Probe

Note: Pressure Range and Output Range for these units will be selected in the field.

For units with a factory specified range or output, use Selection Guide below

Standard and Low Range Touch Pressure Option Selection Guide

ZPT - (#1) - (#2) - (#3) - (#4)

#1: Pressure Output (required)

- 20..... 4 to 20 mA
- 05..... 0 to 5 V
- 10..... 0 to 10 V
- 12..... 2 to 10 V
- 15..... 1 to 5 V

#2: Pressure Range (required)

LOW RANGES

WC Ranges

- LR51.. 0 to 0.10
- LR52.. 0 to 0.25
- LR53.. 0 to 0.50
- LR54.. 0 to 0.75
- LR55.. 0 to 1.00
- LR56.. -0.10 to 0.10
- LR57.. -0.25 to 0.25
- LR58.. -0.50 to 0.50
- LR59.. -0.75 to 0.75
- LR60.. -1.00 to 1.00

Pascal Ranges

- LR61 0 to 30
- LR62 0 to 50
- LR63 0 to 100
- LR64 0 to 175
- LR65 0 to 250
- LR66 -30 to 30
- LR67 -50 to 50
- LR68 -100 to 100
- LR69 -175 to 175
- LR70 -250 to 250

#2: Pressure Range continued...

STANDARD RANGES

WC Ranges

- SR71.. 0 to 1.00
- SR72.. 0 to 2.00
- SR73.. 0 to 2.50
- SR74.. 0 to 3.00
- SR75.. 0 to 5.00
- SR76.. -1.00 to 1.00
- SR77.. -2.00 to 2.00
- SR78.. -2.50 to 2.50
- SR79.. -3.00 to 3.00
- SR80.. -5.00 to 5.00

Pascal Ranges

- SR81..... 0 to 250
- SR82..... 0 to 300
- SR83..... 0 to 500
- SR84..... 0 to 1,000
- SR85..... 0 to 1,250
- SR86..... -250 to 250
- SR87..... -300 to 300
- SR88..... -500 to 500
- SR89.. -1,000 to 1,000
- SR90.. -1,250 to 1,250

#3: Static Pressure Tube (required)

- BB-NT.. No Tube included
- BB-ST.. Static Pressure Tube included
- BB-AT .. Attached Static Pressure Probe

#4: Display (optional)

- D..... LCD (See Note below)

Factory set Custom Ranges are available for these units. Contact your BAPI representative for ordering.

Note: The display is always present. If you do not select the display option, the display will show the word “On” rather than the current pressure.

Example Number: ZPT - (05) - (SR72) - (BB-ST) - (D)

Actual Number (with parenthesis removed): ZPT-05-SR72-BB-ST-D

Description: 0-5 V Output, 0 to 2” WC Pressure Range, Touch Unit with Static Tube and Display.

Your Number: ZPT-

