



Patent Pending

Features & Options

- Single Pressure Range and Single Output Range
- Optional Attached Static Pressure Probe So the Unit Doesn't Require Two Trades to Install
- Simple Auto-Zero Process
- Reverse Wiring Protection



- NIST Certificate Available at No Extra Charge
- Rugged IP66, NEMA 4 Enclosure with Hinged Cover
- Three Visible LEDs for Pressure Status at a Glance



Fixed Range Pressure

Specifications

Power:

4 to 20mA Output: 7 to 40 VDC
 0 to 5V Output: 7 to 40 VDC, 12 to 28 VAC
 0 to 10V Output: 13 to 40 VDC, 18 to 28 VAC

System Accuracy:

±1.0% FS, 32 to 104°F (0 to 40°C)

Temp Hysteresis & Stability:

±1% FS per year

Storage Temperature:

-40 to 203°F (-40 to 95°C)

Compensated Temperature Range:

32 to 104°F (0 to 40°C)

Environmental Operating Range:

-4 to 158°F (-20 to 70°C)

Humidity: 0 to 95% RH, non-condensing

Wiring: 3 wires (2 wires for 4 to 20mA output)

Overpressure: Proof 300" WC (74 kPa)

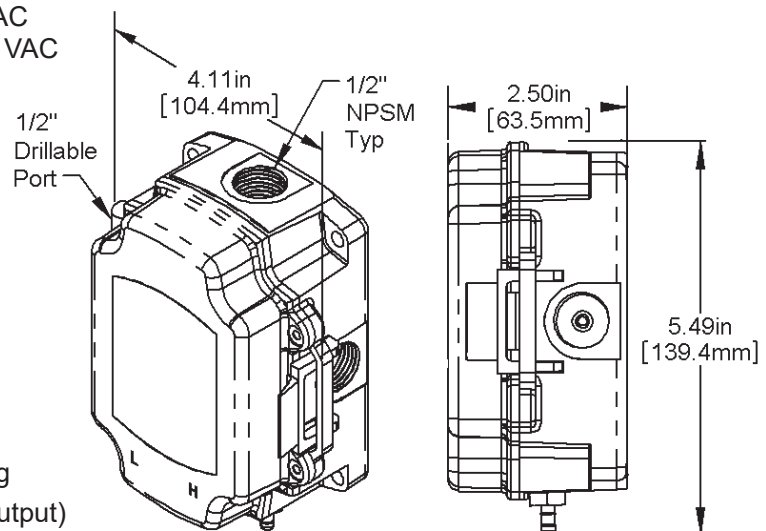
Port Size: 1/4" barb

Enclosure Material: UV-resistant Polycarb., UL94 V-0

Enclosure Rating: IP66, NEMA 4

Media: Clean, dry, non-corrosive gases

Agency: RoHS



*BAPI recommends that you do not run wiring for the pressure transmitter in the same conduit as line voltage wiring or with wiring used to supply highly inductive loads such as motors, generators, and coils.





Fixed Range Pressure Option Selection Guide

ZPS - (#1) - (#2) - (#3)

#1: Pressure Output (required)

- 05..... 0 to 5 V
- 10..... 0 to 10 V
- 20..... 4 to 20mA

#2: Pressure Range (required)

UNIDIRECTIONAL RANGES

WC Ranges	Pascal Ranges
FR51.. 0 to 0.10	FR61.....0 to 30
FR52.. 0 to 0.25	FR62.....0 to 50
FR53.. 0 to 0.50	FR63.....0 to 100
FR55.. 0 to 1.00	FR65.....0 to 250
FR91.. 0 to 1.25	FR82.....0 to 300
FR73.. 0 to 2.50	FR83.....0 to 500
FR74.. 0 to 3.00	FR84.....0 to 1,000
FR75.. 0 to 5.00	FR85.....0 to 1,250

#2: Pressure Ranges continued...

BIDIRECTIONAL RANGES

WC Ranges	Pascal Ranges
FR56.. -0.10 to 0.10	FR66..... -30 to 30
FR57.. -0.25 to 0.25	FR67..... -50 to 50
FR58.. -0.50 to 0.50	FR68..... -100 to 100
FR60.. -1.00 to 1.00	FR70..... -250 to 250
FR96.. -1.25 to 1.25	FR87..... -300 to 300
FR78.. -2.50 to 2.50	FR88..... -500 to 500
FR79.. -3.00 to 3.00	FR89.. -1,000 to 1,000
FR80.. -5.00 to 5.00	FR90.. -1,250 to 1,250

#3: Static Pressure Tube (required)

- BB-NT.. No Tube included
- BB-AT .. Attached Static Pressure Probe

Factory set Custom Ranges are available for these units. Contact your BAPI representative for ordering.



Example Number: ZPS - (05) - (FR73) - (BB-NT)

Actual Number (with parenthesis removed): ZPS-05-FR73-BB-NT

Description: Fixed Range Pressure Unit, 0 to 5 V Output, 0 to 2.50" WC Pressure Range, No Tube

Your Number: ZPS-

Static Pressure Probe Assembly

BAPI offers a Static Pressure Probe Assembly that includes the probe, rubber hose, built in surge damper, sheet metal screws and bulkhead fitting.

<u>Part Number</u>	<u>Description</u>
BA/ZPS-ACC07 ...	Static Pressure Probe Assembly

