

Rev. 03/08/16

### Features & Options

- 10 Field Selectable Pressure Ranges
- 3 Field Selectable Outputs, 4 to 20 mA, 0 to 5 or 0 to 10 VDC
- LCD Displays Pressure Over the Entire Operational Range Regardless of Which Individual Pressure Range is Selected
- Inches of Water Column (W.C.) or Pascal Operation
- Simple Auto-Zero and One Touch Set Up
- Snaptrack, DIN Rail or Surface Mounting
- Three Year Warranty



EZ Pressure Sensor

Measuring building pressure and air velocities or volumes doesn't get any easier than with the BAPI EZ Pressure Sensor. The revolutionary mounting system allows for 2.75" snaptrack, DIN rail or surface mounting, and the three Outputs and 10 Pressure Ranges are field selectable by simply turning the rotary switch and pressing the "Next" button. The auto-zeroing process is also very easy — simply turn the rotary switch to zero, push the button for five seconds, turn the rotary switch back to your pressure range and walk away.

Besides being easy to set up and install, it is also accurate, rugged and economical. The heart of the unit is a micro-machined silicon pressure sensor with excellent accuracy, repeatability and stability.

The unit features a rugged NEMA 1 rated enclosure with short circuit proof outputs and reverse polarity protected inputs to perform under real world conditions.

The LCD display helps with troubleshooting because it displays the actual differential pressure over the entire operational range (-5 to +5 inches W.C. or -1,000 to 1,000 Pascals) regardless of which individual pressure range is selected for output to the system controller.

### Specifications

#### Power:

7 to 40 VDC (4 to 20 mA Output)  
 7 to 40 VDC or 18 to 28 VAC (0 to 5 VDC Output)  
 13 to 40 VDC or 18 to 28 VAC (0 to 10 VDC Output)

#### Power Consumption:

20 mA max, DC only at 4 to 20 mA Output  
 4.9 mA max DC at 0 to 5 VDC or 0 to 10 VDC Output  
 0.12 VA max AC at 0 to 5 VDC or 0 to 10 VDC Output

#### Load Resistance:

4 to 20 mA Output 850  $\Omega$  Maximum @ 24 VDC  
 0 to 5 VDC or 0 to 10 VDC output 1K $\Omega$  minimum

**Accuracy at 72°F:**  $\pm 0.25\%$  of range

**Stability:**  $\pm 0.25\%$  F.S. per year

#### Environmental Operation Range:

-4°F to 140°F (-20°C to 60°C)

**Storage Temperature:** -40 to 203°F (-40 to 95°C)

#### Temperature Error:

0.01% FS/°F (0.02% FS/°C)  
 ( $\pm 5.0$ " W.C. @ -4 to 140°F [-20 to 60°C])

**Overpressure:** Proof: 27.68" W.C. (1 PSI),  
 Burst: 41.52" W.C. (1.5 PSI)

#### Wiring:

3-wire removable terminal block (14 to 24 AWG)\*  
 2 wires (4 to 20mA Current loop)\*  
 3 wires (AC or DC powered, Voltage out)\*

**Humidity:** 0 to 95% RH, non-condensing

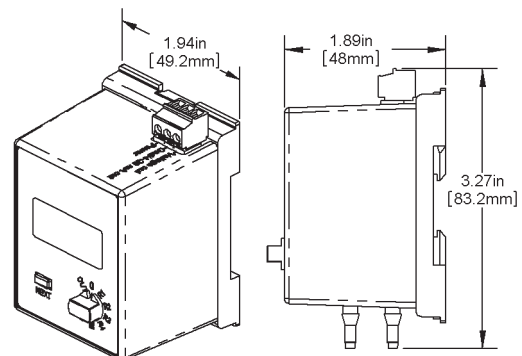
#### Port Connection:

1 High Pressure & 1 Low Pressure  
 for push-on 1/4-inch tubing (1/8" to 3/16" I.D.)

**Enclosure Material:** ABS Plastic, UL94, V-0

#### Mounting:

DIN Rail, Snaptrack or Surface Mountable



### Ordering Information (for units without a factory specified range or output)

PART NUMBER	DESCRIPTION
ALC/ZPS-SR-EZ-NT-IN.....	EZ Pressure Sensor, Inches of W.C. Display, No Tube or Probe included
ALC/ZPS-SR-EZ-NT-PA ...	EZ Pressure Sensor, Pascal Display, No Tube or Probe included
ALC/ZPS-SR-EZ-ST-IN.....	EZ Pressure Sensor, Inches of W.C. Display with Static Pressure Probe
ALC/ZPS-SR-EZ-ST-PA ...	EZ Pressure Sensor, Pascal Display with Static Pressure Probe

Note: Pressure Range and Output Range for the units listed above will be selected in the field.

### Part numbers for units with a factory specified range or output

Ordering Information		EZ Zone Pressure Sensor with Display			
ALC/ZPS					
	<b>Output Range</b>				
	-20	4 to 20 mA	(7 to 40 VDC Supply ONLY)		
	-05	0 to 5 V	(7 to 40 VDC Supply or 18 to 28 VAC Supply)		
	-10	0 to 10 V	(13 to 40 VDC Supply or 18 to 28 VAC Supply)		
		<b>Pressure Range</b>			
		-SR(range)	Standard Pressure Ranges - replace (range) with option # shown below		
			<b>Option</b>	<b>Range (inches W.C.)</b>	<b>Option</b> <b>Range (Pascals)</b>
			71	0 to 1.00	81    0 to 250
			72	0 to 2.00	82    0 to 300
			73	0 to 2.50	83    0 to 500
			74	0 to 3.00	84    0 to 1,000
			75	0 to 5.00	85    0 to 1,250
			76	-1.00 to 1.00	86    -250 to 250
			77	-2.00 to 2.00	87    -300 to 300
			78	-2.50 to 2.50	88    -500 to 500
			79	-3.00 to 3.00	89    -1,000 to 1,000
			80	-5.00 to 5.00	90    -1,250 to 1,250
			<b>Custom Range (W.C.)***</b>		<b>Custom Range (Pascals)***</b>
			CI	[0 to y.yy]*	CP    [0 to yyyy]**
			<b>Enclosure Style</b>		
		-EZ	NEMA 1 rated enclosure		
			<b>Optional Static Pressure Probe</b>		
			-NT	No Tube or Probe Included	
			-ST	Static Pressure Measurement Probe Included (not attached)	
				<b>LCD Display (See note **** below)</b>	
			-D	LCD Display****	
<b>EXAMPLE</b>					
ALC/ZPS	-20	-SR71	-EZ	-NT	-D
Example Part Number: ALC/ZPS-20-SR71-EZ-NT-D					
<b>Your Part Number:</b>					

\*Custom W.C. ranges must start at zero and y.yy can be any pressure between .50 and 5.00 inches W.C. Placing the unit into +/- places the custom range in bi-directional mode (Example Part # ALC/ZPS-20-SRCI[1.00 to 3.50]-EZ-NT-D)

\*\*Custom W.C. ranges must start at zero and yyyy can be any pressure between 125 and 1,250 Pascals. Placing the unit into +/- places the custom range in bi-directional mode (Example Part #: ALC/ZPS-20-SRCP[250 to 750]-EZ-NT-D)

\*\*\*There is a net add of \$30 for custom ranges. Multipliers do not apply to net adds. Custom Ranges include a certification of 3 points within the custom pressure range.

\*\*\*\*If you do not wish to view the current pressure on the display, simply leave off the "-D" in the part number. Instead of showing the current pressure, the display will show the word "on".

### Mounting Options

