



## Features & Options

- 10 Pressure Ranges and 5 Output Options
- Standard, Low and High Range Models
- Non-Flow-Through Sensor



ZPM BAPI-Box



- IP66-rated Enclosure with Hinged Cover
- NIST Certificate Available at No Extra Charge
- Outputs, Ranges & Units Easily Set Without Power
- Optional Display Aids in Troubleshooting by Showing the Actual Pressure Regardless of the Selected Range
- Three Pressure Status LEDs for “Line of Sight Troubleshooting”
- Simple Auto-Zeroing Process by Dead-Heading Low and High Ports and Pressing Auto-Zero Button



## Specifications

**Power:**

7 to 40 VDC (4 to 20 mA Output)  
 7 to 40 VDC or 18 to 32 VAC (0 to 5 or 1 to 5V Output)  
 13 to 40 VDC or 18 to 32 VAC (0 to 10 or 2 to 10V Output)

**Power Consumption:**

20 mA max, DC only at 4 to 20 mA Output  
 5.2 mA max DC at 0 to 5 or 0 to 10 VDC Output  
 0.12 VA max AC at 0 to 5 or 0 to 10 VDC Output

**System Accuracy:** ±0.25% FS at 72°F (22°C)  
 Accuracy Low Range: ±0.005" WC (±1.24 Pa)  
 Accuracy Standard Range: ±0.025" WC (±6.22 Pa)  
 Accuracy High Range: ±0.075" WC (±18.66 Pa)

**Temp Hysteresis & Stability:** ±0.25% FS per year

**Field Selectable Outputs:**

4 to 20 mA, 0 to 5 V, 1 to 5 V, 0 to 10 V, 2 to 10 V

**Load Resistance:**

4 to 20 mA Output: 850Ω Maximum @ 24 VDC  
 Voltage Output: 6KΩ Minimum

**Overpressure:**

Low Range: Proof 270" WC (67 kPa)  
 Standard Range: Proof 300" WC (74 kPa)  
 High Range: Proof 350" WC (87 kPa)

**Compensated Temp. Range:**

32 to 122°F (0 to 50°C)

**Environmental Operating Range:**

Temp: -4 to 140°F  
 (-20 to 60°C)  
 Humidity: 0 to 95% RH, non-condensing

**Storage Temp:** -40 to 185°F (-40 to 85°C)

**Media:** Clean, dry, non-corrosive gases

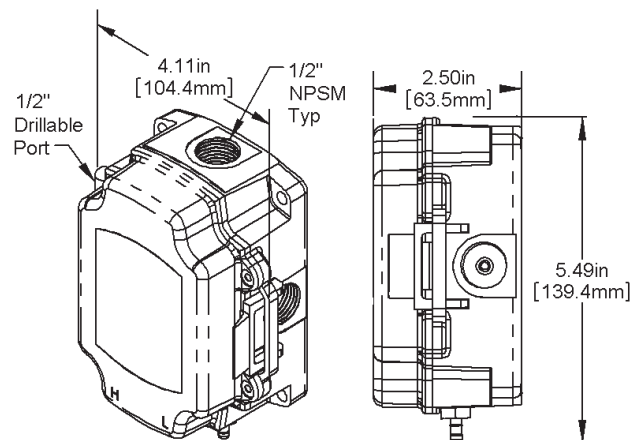
**Wiring:** 3 wires (2 wires for 4 to 20mA output)

**Encl. Material:** UV-resist. Polycarb., UL94 V-0

**Enclosure Rating:** IP66, NEMA 4

**Port Size:** 1/4" barb

**Agency:** CE EN 61326-1:2013 EMC (Industrial Electromagnetic Environment), UL, RoHS



HIGH RANGES	
Inches WC	Pascals
0 to 5.....	0 to 1,250
0 to 10.....	0 to 2,500
0 to 15.....	0 to 4,000
0 to 25.....	0 to 6,000
0 to 30.....	0 to 7,400

LOW RANGES	
Inches WC	Pascals
0 to 0.10.....	0 to 30
0 to 0.25.....	0 to 50
0 to 0.50.....	0 to 100
0 to 0.75.....	0 to 175
0 to 1.00.....	0 to 250
-0.10 to 0.10 .....	-30 to 30
-0.25 to 0.25 .....	-50 to 50
-0.50 to 0.50 ...	-100 to 100
-0.75 to 0.75 ...	-175 to 175
-1.00 to 1.00 ...	-250 to 250

STANDARD RANGES	
Inches WC	Pascals
0 to 1.00.....	0 to 250
0 to 2.00.....	0 to 300
0 to 2.50.....	0 to 500
0 to 3.00.....	0 to 1,000
0 to 5.00.....	0 to 1,250
-1.00 to 1.00 .....	-250 to 250
-2.00 to 2.00 .....	-300 to 300
-2.50 to 2.50 .....	-500 to 500
-3.00 to 3.00 ...	-1,000 to 1,000
-5.00 to 5.00 ...	-1,250 to 1,250





# ZPM BAPI-Box - Precision Accuracy $\pm 0.25\%$

Zone Pressure Multi-Sensor (ZPM) in an IP66 enclosure

D9

## Precision Accuracy ( $\pm 0.25\%$ ) Unit Ordering Information

**PART NUMBER**            **DESCRIPTION**

### STANDARD RANGE UNITS

- BA/ZPM-SR-NT-D-BB**..... Standard Range, No Probe included, with Display,  $\pm 0.25\%$  Accuracy
- BA/ZPM-SR-ST-D-BB**..... Standard Range, Static Probe and Display,  $\pm 0.25\%$  Accuracy
- BA/ZPM-SR-AT-D-BB**..... Standard Range, Attached Static Probe and Display,  $\pm 0.25\%$  Accuracy
- BA/ZPM-SR-NT-ND-BB**... Standard Range, No Probe included, No Display,  $\pm 0.25\%$  Accuracy
- BA/ZPM-SR-ST-ND-BB**... Standard Range, Static Probe, No Display,  $\pm 0.25\%$  Accuracy
- BA/ZPM-SR-AT-ND-BB**... Standard Range, Attached Static Probe, No Display,  $\pm 0.25\%$  Accuracy

### LOW RANGE UNITS

- BA/ZPM-LR-NT-D-BB**..... Low Range, No Probe included, with Display,  $\pm 0.25\%$  Accuracy
- BA/ZPM-LR-ST-D-BB**..... Low Range, Static Probe and Display,  $\pm 0.25\%$  Accuracy
- BA/ZPM-LR-AT-D-BB**..... Low Range, Attached Static Probe and Display,  $\pm 0.25\%$  Accuracy
- BA/ZPM-LR-NT-ND-BB**... Low Range, No Probe included, No Display,  $\pm 0.25\%$  Accuracy
- BA/ZPM-LR-ST-ND-BB**... Low Range, Static Probe, No Display,  $\pm 0.25\%$  Accuracy
- BA/ZPM-LR-AT-ND-BB**... Low Range, Attached Static Probe, No Display,  $\pm 0.25\%$  Accuracy

### HIGH RANGE UNITS

- BA/ZPM-HR-NT-D-BB**..... High Range, No Probe included, with Display,  $\pm 0.25\%$  Accuracy
- BA/ZPM-HR-ST-D-BB**..... High Range, Static Probe and Display,  $\pm 0.25\%$  Accuracy
- BA/ZPM-HR-AT-D-BB**..... High Range, Attached Static Probe and Display,  $\pm 0.25\%$  Accuracy
- BA/ZPM-HR-NT-ND-BB**... High Range, No Probe included, No Display,  $\pm 0.25\%$  Accuracy
- BA/ZPM-HR-ST-ND-BB**... High Range, Static Probe, No Display,  $\pm 0.25\%$  Accuracy
- BA/ZPM-HR-AT-ND-BB**... High Range, Attached Static Probe, No Display,  $\pm 0.25\%$  Accuracy

**Your Number: BA/ZPM-**

Note: Pressure Range, Output Range and Inches of Water Column or Pascal Operation will be selected in the field for all ZPM BAPI-Box Pressure Sensors.

