

# Wireless Sensing

## Temperature & Humidity Sensing

Manufactured by BAPI exclusively for Automated Logic Corporation



LS3-WT or  
LS3-WTH



LS3-WT-SO or  
LS3-WTH-SO

The BAPI Wireless Transmitter measures the room Temperature and/or Humidity and transmits the data through 418MHz RF to a Receiver or Wireless Point Manager. The wireless transmitter has a minimum in-building range of 100 feet. The transmit rate is approximately once every 20 seconds with an estimated battery life of 8 years using two high-capacity 3.6V lithium batteries.

The information from the transmitter is received by a Wireless Point Manager and converted to ethernet (TCP/IP) or serial protocol for the network. Instructions for using the Wireless Point Manager/ Receiver, please see the ALC document "Point Six Integration Guide".

### Key Features and Benefits

- 8 Year Battery Life
- Built In Error Detection
- 100 feet range, extendable to 1,000 feet with Repeater
- Optional Temp. Setpoint & Override



Building  
Automation  
Products, Inc.

Manufactured by BAPI  
For Sales, Tech Support or Ordering  
Information, Contact BAPI at 608/735-4800  
Fax: 608/735-4804 • www.bapivac.com

Manufactured exclusively for

**AUTOMATED LOGIC**  
CORPORATION

1150 Roberts Boulevard Kennesaw, Georgia 30144

**Wireless Repeater**  
Extends the range of the  
Wireless Transmitters up  
to 1,000 feet.

Wireless  
Repeater



### Wireless Point Manager/Receiver

Receives the RF signal from up to 100 wireless transmitters and converts the data to ethernet (TCP/IP) or serial protocol for the network. The data can then be viewed and accessed by any standard internet browser.

*For instructions on using the Wireless Point Manager/Receiver, please see the ALC document "Point Six Integration Guide".*

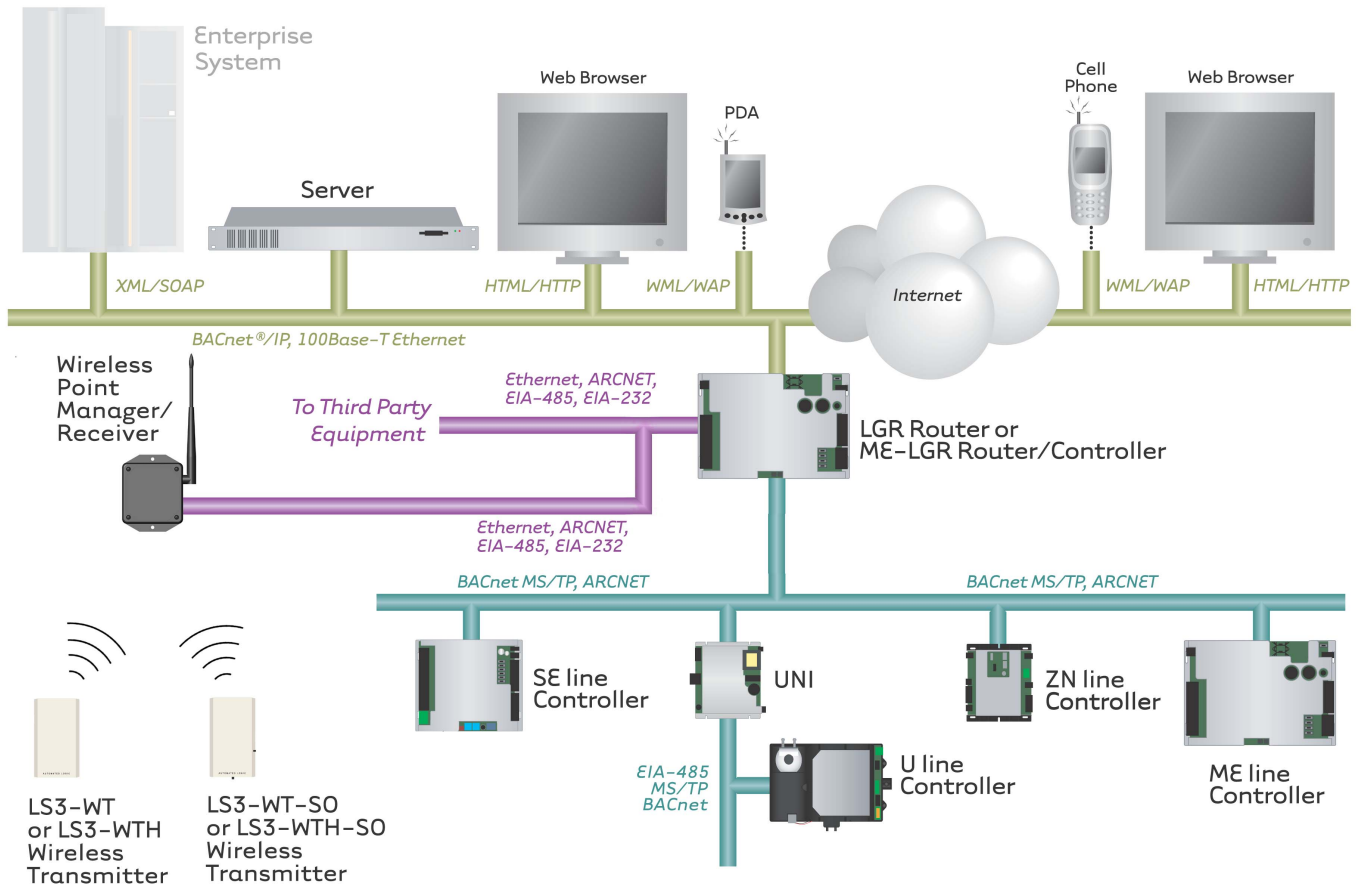
Wireless  
Point Manager/  
Receiver



# Wireless Sensing Specifications

A3

Manufactured by BAPI exclusively for Automated Logic Corporation



**Power:** Two 3.6V Lithium batteries, 8 year battery life at ! 0 second transmit rate

**Sensor Specs:** Temperature Only: Built in thermistor,  $\pm 0.2$  °C accuracy  
Temp./Humidity Unit: Replaceable Temp/RH Sensor,  $\pm 0.3$  °C /  $\pm 2\%$  RH Accuracy

**Transmitted Range:** Temperature Only: -40 to 185°F (-40 to 85°C)  
Temp./Hdmidity Unit: -40 to 185°F (-40 to 85°C)/ 0 to 100% RH.

**Material:** ABS plastic, Material Rating - UL94 V-0

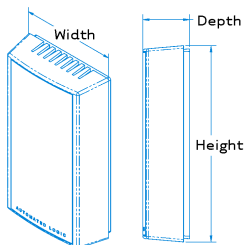
**Radio Frequency:** 418 MHz, Antenna is built inside the enclosure

**Transmitter Interval:** Approximately once every ! 0 seconds

**Mounting:** Standard 2" by 4" electrical box using 6-32 by 1/2" mounting screws provided.

**FCC Approval:** FCC ID# T4F16963N16946

**Overall Dimensions:** 2.75" (width) by 4.75" (height) by 1.14" (depth)  
69.9mm (width) by 120.7mm (height) by 28.9mm (depth)



Disclaimer: The product represented on this page is manufactured by BAPI exclusively for Automated Logic Corporation. BAPI Warranty and support is extended fully to Automated Logic Corporation, authorized installers and agents. No other warranties of any kind either express or implied apply. Automated Logic and the Automated Logic logo are registered trademarks of Automated Logic Corporation