



Features & Options

- Up to 275 foot in-building range*
- Customizable transmission rate and transmission power
- Waterproof construction for food service use
- NSF certified with food and fishwasher safe materials
- Many additional applications besides food

BAPI's Wireless 900 MHz Food Probes remain in the food trays to measure and transmit the temperature to a receiver up to 175 feet away. The transmitted temperature is picked up by a gateway and supplied directly to the BAS via multiple communication options (TCP/IP, JSON, BACnet IP).

The food probes eliminate the need for an employee to hand record the temperatures with a thermometer for HACCP compliance. Bin clips are available to fit most food bins. The probe is designed for dishwasher or hand washing.

Because the probes are designed for wet, dusty or dirty environments, there are many additional applications including cooling towers, evaporative coolers, steam humidifiers, dusty or wet conveyer systems, aggregate washers and vaulted ceiling suspension.



Wireless
Food
Probe



Food
Probe with
optional bin
clip inside
a bin

Specifications

Supply Power: One 3.6V Lithium 1/2 AA Battery, 900 mA

Battery life: One year @ default 5 minute transmit interval**

Measurement Range: -20° to 110°C (-4° to 230°F)

Accuracy: ±0.25°C (±0.5°F) from -20° to 70°C
±0.5°C (±1°F) from 70° to 110°C

Environmental Operating Range:

Probe Only: -40° to 110°C (-40° to 230°F)

Entire Unit: -15° to 85°C (5° to 185°F)

Washing Spike Temp: TBD (up to 100°C)

Humidity: 0 to 100% RH Condensing

Case Material: Food Safe Plastic

Probe Material: 304 SS, 1/8" dia.

Frequency: 900 MHz (4 Channels, 7 MHz Spacing)

Transmit Power: 0 dBm default, +5 dBm max

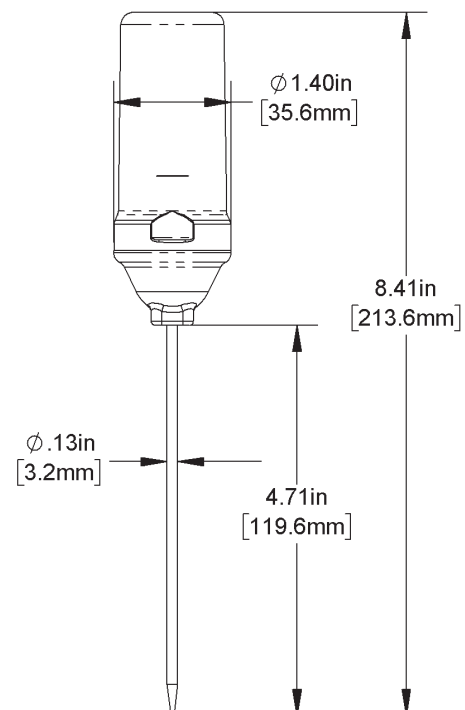
Receiver Sensitivity: -101 dBm

Transmitter Interval: Field Adjustable (5 min default)

Transmission Range: Up to 175 feet*

Cleaning: Dishwasher or Sanitizing Wipe

Agency: RoHS & NSF Certified



*Actual in-building transmission distances will vary depending upon building construction, transmission power setting and other factors.

**Actual battery life will vary depending upon transmission interval setting and transmission power setting.





Wireless Food Temperature Probe

900 MHz Wireless System

F21

Ordering Information

BA/WFP900-PT..... Wireless Food Probe

(Other probe options available. Call BAPI for more information.)

BA/BAT-5AA-HITLithium 1/2AA Battery, 3.6V, for the Wireless Food Temperature Probe

See end of Section F for list pricing.

900 MHz Gateway

The Gateway receives the data from one or more sensors up to 275 feet away, and provides the data to the BAS via multiple communication options (TCP/IP, JSON, BACnet IP). The Gateway also sends a confirmation signal to each sensor upon a successful reception of data, allowing the sensor to release the data that it has stored in memory so that no data is lost during a communication interruption.

