



Overview

The Voltage Output Module (VOM) converts the temperature or humidity data from the BAPI Receiver into a linear 0 to 5 or 0 to 10 volt signal for the controller.

The VOM receives the temperature or humidity data from the receiver through a four-wire bus. Up to 127 different Output Modules can be connected to a single receiver to send multiple variables to the controller.

The VOM is easily trained to a single sensor variable with a pushbutton and LED. The VOM is surface, 2.75" snaptrack or 35mm DIN rail mountable.

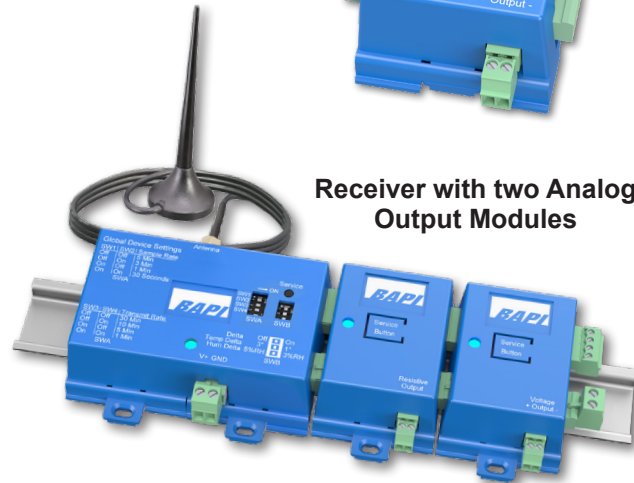
The VOM is powered by the receiver. Optionally, the VOM may be powered separately when the Pluggable Terminal Block Kit is used for remote connections.



Voltage Output Module - VOM



Receiver with two Analog Output Modules

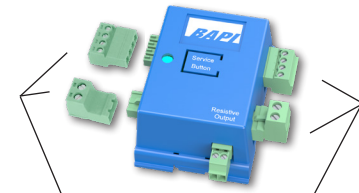


PLUGGABLE TERMINAL BLOCK KIT

Analog Output Modules (AOMs) plug into each other and the receiver as shown above. However, the AOMs may also be mounted remotely using the optional Pluggable Terminal Block Connectors which are available as a 4-connector kit.

PART NUMBER:

BA/AOM-CONN ..Pluggable Terminal Block Kit for AOMs



Optional Pluggable Terminal Block Kit for AOMs (4 Connectors)

Specifications

Supply Power: (half wave)
15 to 40 VDC, 12 to 24 VAC

Power Consumption:
25 mA @ 24 VDC, 1.75 VA @ 24 VAC

Output Current: 2.5 mA @ 4KΩ load

Output Voltage Range:
0 to 5 VDC or 0 to 10 VDC (factory calibrated)

Lost Communication Timeout:
35 min. (Fast Flash)
Temperature output reverts to 0 volts
%RH output reverts to high scale (5V or 10V)

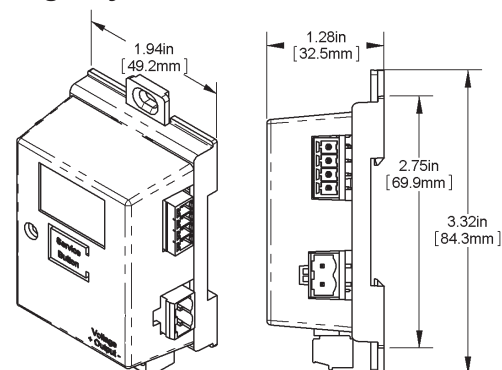
Bus Cable Distance:
4,000 ft with shielded, twisted pair cable

Output Resolution: 150μV

Environmental Operation Range:
Temp: 32 to 140°F (0 to 60°C)
Humidity: 5 to 95%RH non-condensing

Enclosure Material and Rating:
ABS Plastic, UL94 V-0

Agency: RoHS





Ordering Information

°F TEMPERATURE PART NUMBERS

BA/VOM-BLE-05-C-F-EZ: Voltage Output Module, 0 to 5V Output, 50 to 90°F Range
BA/VOM-BLE-05-D-F-EZ: Voltage Output Module, 0 to 5V Output, 55 to 85°F Range
BA/VOM-BLE-05-E-F-EZ: Voltage Output Module, 0 to 5V Output, 60 to 80°F Range
BA/VOM-BLE-05-F-F-EZ: Voltage Output Module, 0 to 5V Output, 65 to 80°F Range
BA/VOM-BLE-05-G-F-EZ: Voltage Output Module, 0 to 5V Output, 45 to 96°F Range
BA/VOM-BLE-05-H-F-EZ: Voltage Output Module, 0 to 5V Output, -20 to 120°F Range
BA/VOM-BLE-05-KK-F-EZ: Voltage Output Module, 0 to 5V Output, 32 to 185°F Range
BA/VOM-BLE-05-MM-F-EZ: Voltage Output Module, 0 to 5V Output, -40 to 140°F Range

BA/VOM-BLE-10-C-F-EZ: Voltage Output Module, 0 to 10V Output, 50 to 90°F Range
BA/VOM-BLE-10-D-F-EZ: Voltage Output Module, 0 to 10V Output, 55 to 85°F Range
BA/VOM-BLE-10-E-F-EZ: Voltage Output Module, 0 to 10V Output, 60 to 80°F Range
BA/VOM-BLE-10-F-F-EZ: Voltage Output Module, 0 to 10V Output, 65 to 80°F Range
BA/VOM-BLE-10-G-F-EZ: Voltage Output Module, 0 to 10V Output, 45 to 96°F Range
BA/VOM-BLE-10-H-F-EZ: Voltage Output Module, 0 to 10V Output, -20 to 120°F Range
BA/VOM-BLE-10-KK-F-EZ: Voltage Output Module, 0 to 10V Output, 32 to 185°F Range
BA/VOM-BLE-10-MM-F-EZ: Voltage Output Module, 0 to 10V Output, -40 to 140°F Range

°C TEMPERATURE PART NUMBERS

BA/VOM-BLE-05-C-C-EZ: Voltage Output Module, 0 to 5V Output, 10 to 32°C Range
BA/VOM-BLE-05-D-C-EZ: Voltage Output Module, 0 to 5V Output, 13 to 30°C Range
BA/VOM-BLE-05-E-C-EZ: Voltage Output Module, 0 to 5V Output, 15 to 27°C Range
BA/VOM-BLE-05-F-C-EZ: Voltage Output Module, 0 to 5V Output, 18 to 27°C Range
BA/VOM-BLE-05-G-C-EZ: Voltage Output Module, 0 to 5V Output, 7 to 35°C Range
BA/VOM-BLE-05-H-C-EZ: Voltage Output Module, 0 to 5V Output, -29 to 49°C Range
BA/VOM-BLE-05-KK-C-EZ: Voltage Output Module, 0 to 5V Output, 0 to 85°C Range
BA/VOM-BLE-05-MM-C-EZ: Voltage Output Module, 0 to 5V Output, -40 to 60°C Range

BA/VOM-BLE-10-C-C-EZ: Voltage Output Module, 0 to 10V Output, 10 to 32°C Range
BA/VOM-BLE-10-D-C-EZ: Voltage Output Module, 0 to 10V Output, 13 to 30°C Range
BA/VOM-BLE-10-E-C-EZ: Voltage Output Module, 0 to 10V Output, 15 to 27°C Range
BA/VOM-BLE-10-F-C-EZ: Voltage Output Module, 0 to 10V Output, 18 to 27°C Range
BA/VOM-BLE-10-G-C-EZ: Voltage Output Module, 0 to 10V Output, 7 to 35°C Range
BA/VOM-BLE-10-H-C-EZ: Voltage Output Module, 0 to 10V Output, -29 to 49°C Range
BA/VOM-BLE-10-KK-C-EZ: Voltage Output Module, 0 to 10V Output, 0 to 85°C Range
BA/VOM-BLE-10-MM-C-EZ: Voltage Output Module, 0 to 10V Output, -40 to 60°C Range

HUMIDITY PART NUMBERS:

BA/VOM-BLE-05-M-EZ: Voltage Output Module, 0 to 5V Output, 0 to 100%RH
BA/VOM-BLE-05-N-EZ: Voltage Output Module, 0 to 5V Output, 35 to 70%RH
BA/VOM-BLE-10-M-EZ: Voltage Output Module, 0 to 10V Output, 0 to 100%RH
BA/VOM-BLE-10-N-EZ: Voltage Output Module, 0 to 10V Output, 35 to 70%RH

Note: Custom Ranges are available. Call BAPI for details.

