



Features & Options

- User adjustable settings and onboard memory
- Transmits to a digital Gateway or a wireless-to-analog Receiver

BAPI's Wireless Thermobuffer Sensor is designed for freezers and coolers. It measures the temperature and transmits the data via Bluetooth Low Energy to a receiver or gateway. It features a SS thermobuffer hanging bracket probe with an IP66-rated BAPI-Box enclosure and FEP-jacketed cable in 5 or 10 foot (1.5 to 3m) length.

Specifications

Battery Power: Two included 3.6V 14505, 14500 or equivalent lithium batteries (Note: Standard AA batteries are not compatible)

Wire Power: 9 to 30 VDC or 24 VAC, halfwave rectified

Temperature Sensor Accuracy:
±1.0°F (0.55°C) from 32 to 158°F (0 to 70°C)

Temperature Range:
-4 to 221°F (-20 to 105°C)

Transmission Distance:
Varies by application*

Environmental Operation Range:
Temp: -4 to 149°F (-20 to 65°C)
Humidity: 10 to 90%RH, non-condensing

Enclosure Rating: IP66

Enclosure Material & Material Rating:
UV-Resistant Polycarbonate, UL94 V-0

Frequency: 2.4 GHz (Bluetooth Low Energy)

Receiver Sensitivity: -97 dBm

User Adjustable Settings:
Delta T (Temp): 0.1°F/C to 5.0°F/C
Transmit Interval: 30 sec to 12 hour***
Sample Interval: 30 sec to 5 min***
Temp Offset: ±0.1°F/C to ±5.0°F/C

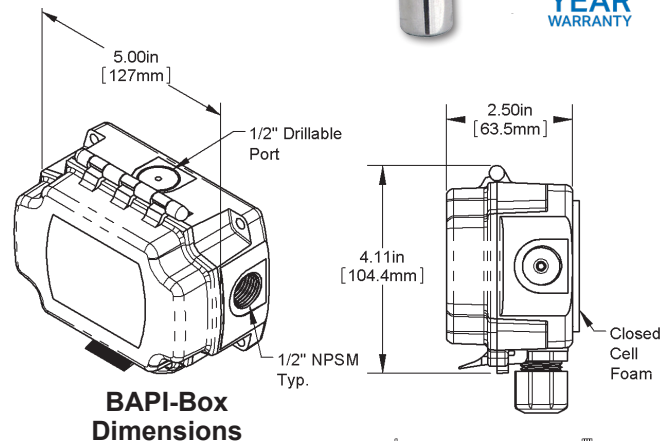
Onboard Memory:
Sensor retains up to 16,000 readings should the communication become interrupted. If using a Gateway, the data is re-transmitted once communication is re-established.

Agency: RoHS / Contains FCC ID: QOQGM210P / IC: 5123A-GM210P

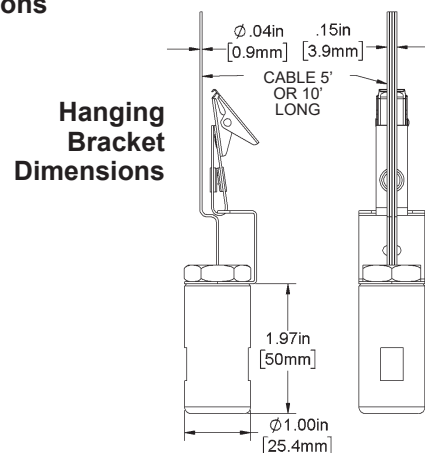
*In-building range is dependent on obstructions such as furniture and walls and the density of those materials. In wide open spaces, the distance may be greater; in dense spaces, the distance may be less.

**Actual battery life is dependent on the sensor's adjustable settings and environmental conditions.

***The available transmit intervals and sample intervals are different depending on whether the system is using a gateway or a receiver.



BAPI-Box Dimensions



Hanging Bracket Dimensions

BAPI-Box Units Calculated Battery Life**		
Transmit Interval	Sample Rate	Estimated Life (years)
30 sec	30 sec	1.04
1 min	1 min	1.95
3 min	1 min	3.46
5 min	5 min	4.63
10 min	5 min	7.02





Thermobuffer Temperature Sensor

F19

Wireless System

Submittal sheets without List Prices are available on our website at www.bapivac.com

Ordering Information

BATTERY POWER UNITS

List Price

BA/WT-BLE-TB-M304-1-HB-5-BB-BAT

Wireless Thermobuffer Sensor, 1" (25mm) 304 SS Hanging Bracket w/ 5' (1.5m)
FEP-Jacketed Cable, Battery Power \$437

BA/WT-BLE-TB-M304-1-HB-10-BB-BAT

Wireless Thermobuffer Sensor, 1" (25mm) 304 SS Hanging Bracket w/ 10' (3m)
FEP-Jacketed Cable, Battery Power \$442

BA/LI14505: 3.6V Lithium Battery \$3 (net price)

WIRE POWER UNITS

BA/WT-BLE-TB-M304-1-HB-5-BB-PWR

Wireless Thermobuffer Sensor, 1" (25mm) 304 SS Hanging Bracket w/ 5' (1.5m)
FEP-Jacketed Cable, Wire Power..... \$437

BA/WT-BLE-TB-M304-1-HB-10-BB-PWR

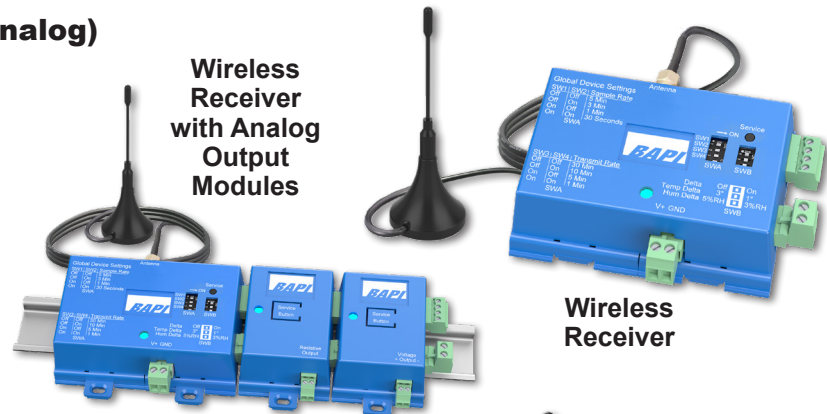
Wireless Thermobuffer Sensor, 1" (25mm) 304 SS Hanging Bracket w/ 10' (3m)
FEP-Jacketed Cable, Wire Power..... \$442



Wireless Receiver and Gateway

RECEIVER (Wireless-to-Analog)

The Wireless Receiver from BAPI receives the data from one or more wireless sensors. The data is then transferred to the Analog Output Modules and converted to an analog voltage or resistance. The receiver supports up to 32 sensors and up to 127 different Analog Output Modules.



Wireless Receiver with Analog Output Modules

Wireless Receiver

GATEWAY

The Wireless Gateway from BAPI receives the data from one or more wireless sensors. The Gateway then provides the data to the cloud via MQTT. The Gateway also sends a confirmation signal to each sensor upon a successful reception of data. If the sensor doesn't receive this confirmation, it will retry its transmission to the Gateway. The Gateway supports up to 32 sensors.



Wireless Gateway

