



Overview

The Setpoint Output Module (SOM) converts the Setpoint data from the BAPI Receiver into a Resistance or Voltage for the BAS controller.

The SOM receives data from the receiver through a four-wire bus. Up to 127 different Analog Output Modules can be connected to a single receiver to send multiple variables to the controller.

The Setpoint Output Module is easily trained to a single sensor setpoint with a pushbutton and LED. The SOM is surface, 2.75" snaptrack or 35mm DIN rail mountable.

The units are available with an occupancy override signal in parallel with the setpoint output. For resistance output units, the resistance goes to 0Ω briefly when the override button is pressed. For voltage output units, the voltage goes to 0V briefly when the override button is pressed.

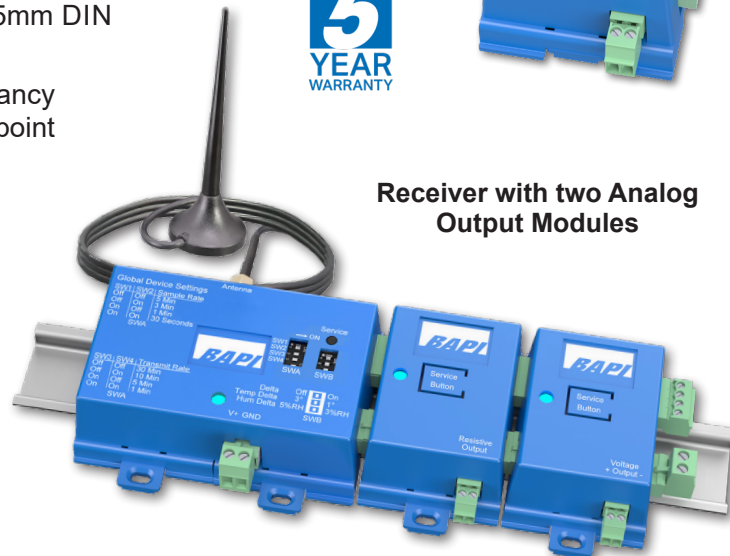
The SOM is powered by the receiver. Optionally, the SOM may be powered separately when the Pluggable Terminal Block Kit is used for remote connections.

Setpoint Output Module - SOM



5
YEAR
WARRANTY

Receiver with two Analog Output Modules



Specifications

Supply Power: (half wave)
15 to 40 VDC, 12 to 24 VAC

Power Consumption:
Resistance Models: 20 mA @ 24 VDC, 1.55 VA @ 24 VAC
Voltage Models: 25 mA @ 24 VDC, 1.75 VA @ 24 VAC

Output Current: 2.5 mA @ 4K Ω load

Analog Input Bias Voltage:
10 VDC max (Resistance Output Models only)

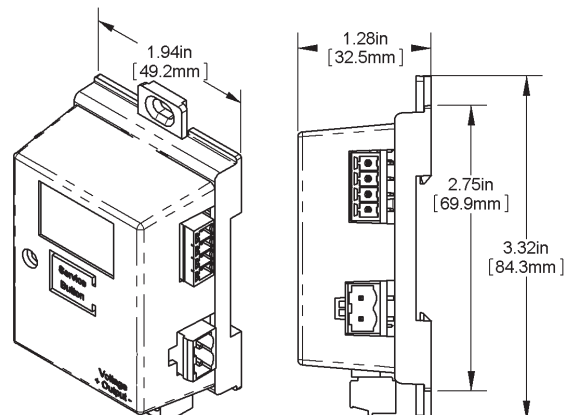
Lost Comm. Timeout: 35 min. (Fast Flash)
Reverts to its last command

Bus Cable Distance:
4,000 ft with shielded, twisted pair cable

Output Resolution:
Resistance Output: 100 Ω
Voltage Output: 150 μ V

Environmental Operation Range:
Temp: 32 to 140°F (0 to 60°C)
Humidity: 5 to 95% RH non-condensing

Material & Rating:
ABS Plastic, UL94 V-0
Agency: RoHS





Ordering Information

VOLTAGE OUTPUT UNIT

- BA/SOM-BLE-00-EZ...** Setpoint Output Module, 0 to 5V Output
- BA/SOM-BLE-02-EZ...** Setpoint Output Module, 3.7 to 0.85V Output
- BA/SOM-BLE-04-EZ...** Setpoint Output Module, 4.2 to 1.2V Output
- BA/SOM-BLE-10-EZ...** Setpoint Output Module, 0 to 10V Output
- BA/SOM-BLE-11-EZ...** Setpoint Output Module, 2 to 10V Output

RESISTANCE OUTPUT UNITS

- BA/SOM-BLE-60-EZ...** Setpoint Output Module, 0 to 10KΩ Output
- BA/SOM-BLE-80-EZ...** Setpoint Output Module, 0 to 20KΩ Output
- BA/SOM-BLE-81-EZ...** Setpoint Output Module, 4.75K to 24.75KΩ Output
- BA/SOM-BLE-82-EZ...** Setpoint Output Module, 6.19K to 26.19KΩ Output
- BA/SOM-BLE-83-EZ...** Setpoint Output Module, 7.87K to 27.87KΩ Output

UNITS WITH OVERRIDE IN PARALLEL WITH SETPOINT

VOLTAGE OUTPUT UNITS (Output goes to 0V briefly when Override is pressed)

- BA/SOM-BLE-00-EZ-O.....** Setpoint Output Module, 0 to 5V Output
- BA/SOM-BLE-02-EZ-O.....** Setpoint Output Module, 3.7 to 0.85V Output
- BA/SOM-BLE-04-EZ-O.....** Setpoint Output Module, 4.2 to 1.2V Output
- BA/SOM-BLE-10-EZ-O.....** Setpoint Output Module, 0 to 10V Output
- BA/SOM-BLE-11-EZ-O.....** Setpoint Output Module, 2 to 10V Output

RESISTANCE OUTPUT UNITS (Output goes to 0Ω briefly when Override is pressed)

- BA/SOM-BLE-60-EZ-O.....** Setpoint Output Module, 0 to 10KΩ Output
- BA/SOM-BLE-80-EZ-O.....** Setpoint Output Module, 0 to 20KΩ Output
- BA/SOM-BLE-81-EZ-O.....** Setpoint Output Module, 4.75K to 24.75KΩ Output
- BA/SOM-BLE-82-EZ-O.....** Setpoint Output Module, 6.19K to 26.19KΩ Output
- BA/SOM-BLE-83-EZ-O.....** Setpoint Output Module, 7.87K to 27.87KΩ Output

Note: Custom Ranges are available. Call BAPI for details.



Pluggable Terminal Blocks

Analog Output Modules (AOMs) plug into each other and the receiver as shown above. However, the AOMs may also be mounted remotely using the optional Pluggable Terminal Block Connectors which are available as a 4-connector kit.

PART NUMBER:

BA/AOM-CONN ..Pluggable Terminal Block Kit for AOMs



Optional Pluggable Terminal Block Kit for AOMs (4 Connectors)

