



Features & Options

- User adjustable settings and onboard memory
- Transmits to a digital Gateway or a wireless-to-analog Receiver

BAPI's Remote Probe Wireless Sensor measures the temperature and transmits the data via Bluetooth Low Energy to a receiver or gateway. It features a 1.75" (44mm) long SS probe with either Plenum-Rated or FEP-Jacketed Cable and an IP66-rated BAPI-Box enclosure. Five lead lengths from 5 to 25 feet (1.5 to 7.6 meters).



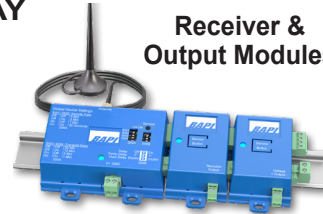
Wireless Remote Probe Sensor

ASSOCIATED RECEIVER OR GATEWAY

- **Receiver (Wireless-to-Analog)** - Receives the data from the wireless sensors. The data is then transferred to the Analog Output Modules and converted to an analog voltage or resistance.
- **Gateway** - Receives the data from the wireless sensors. The Gateway then provides the data to the cloud via MQTT.



Gateway



Receiver & Output Modules

Specifications

Battery Power: Two included 3.6V 14505, 14500 or equivalent lithium batteries (Standard AA batteries are not compatible)

Wire Power: 9 to 30 VDC or 24 VAC, halfwave rectified

Temperature Sensor Accuracy: ±1.0°F (0.55°C) from 32 to 158°F (0 to 70°C)

Temperature Range: -4 to 221°F (-20 to 105°C)

Transmission Distance: Varies by application*

Environmental Operation Range:

Temp: -4 to 149°F (-20 to 65°C)

Humidity: 10 to 90%RH, non-condensing

Enclosure Rating & Material: IP66, UV-Resistant Polycarb., UL94 V-0

Frequency: 2.4 GHz (Bluetooth Low Energy)

Receiver Sensitivity: -97 dBm

User Adjustable Settings:

Delta T (Temp): 0.1°F/C to 5.0°F/C

Transmit Interval: 30 sec to 12 hour***

Sample Interval: 30 sec to 5 min***

Temp Offset: ±0.1°F/C to ±5.0°F/C

Onboard Memory:

Sensor retains up to 16,000 readings should the communication become interrupted. If using a Gateway, the data is re-transmitted once communication is re-established.

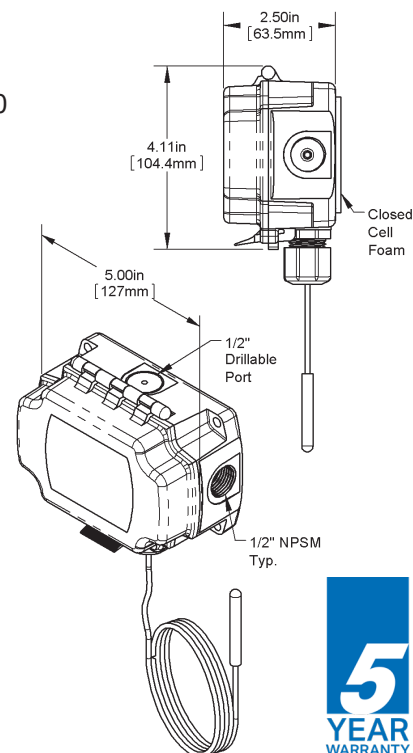
Agency: RoHS / FCC: T4FSM220809 / IC: 9067A-SM220809

*In-building range is dependent on obstructions such as furniture and walls and the density of those materials. In wide open spaces, the distance may be greater; in dense spaces, the distance may be less.

**Actual battery life is dependent on the sensor's adjustable settings and environmental conditions.

***The available transmit intervals and sample intervals are different depending on whether the system is using a gateway or a receiver.

BAPI-Box Units Calculated Battery Life**		
Transmit Interval	Sample Rate	Estimated Life (years)
30 sec	30 sec	1.04
1 min	1 min	1.95
3 min	1 min	3.46
5 min	5 min	4.63
10 min	5 min	7.02





Submittal sheets without List Prices are available on our website at www.bapihvac.com

Ordering Information

BATTERY POWER UNITS

List Price

BA/WT-BLE-RPP-5-BB-BAT

Wireless Remote Sensor w/ Plenum-Rated Cable, 5' (1.5m) Leads, Battery Power..... \$347

BA/WT-BLE-RPP-10-BB-BAT

Wireless Remote Sensor w/ Plenum-Rated Cable, 10' (3.0m) Leads, Battery Power..... \$349

BA/WT-BLE-RPP-15-BB-BAT

Wireless Remote Sensor w/ Plenum-Rated Cable, 15' (4.6m) Leads, Battery Power..... \$351

BA/WT-BLE-RPP-20-BB-BAT

Wireless Remote Sensor w/ Plenum-Rated Cable, 20' (6.1m) Leads, Battery Power..... \$353

BA/WT-BLE-RPP-25-BB-BAT

Wireless Remote Sensor w/ Plenum-Rated Cable, 25' (7.6m) Leads, Battery Power..... \$355

BA/WT-BLE-RPFEP-5-BB-BAT

Wireless Remote Sensor w/ FEP-Jacketed Cable, 5' (1.5m) Leads, Battery Power \$350

BA/WT-BLE-RPFEP-10-BB-BAT

Wireless Remote Sensor w/ FEP-Jacketed Cable, 10' (3.0m) Leads, Battery Power \$355

BA/WT-BLE-RPFEP-15-BB-BAT

Wireless Remote Sensor w/ FEP-Jacketed Cable, 15' (4.6m) Leads, Battery Power \$360

BA/WT-BLE-RPFEP-20-BB-BAT

Wireless Remote Sensor w/ FEP-Jacketed Cable, 20' (6.1m) Leads, Battery Power \$365

BA/WT-BLE-RPFEP-25-BB-BAT

Wireless Remote Sensor w/ FEP-Jacketed Cable, 25' (7.6m) Leads, Battery Power \$370

BA/LI14505: 3.6V Lithium Battery..... \$3 (net price)

WIRE POWER UNITS

BA/WT-BLE-RPP-5-BB-PWR

Wireless Remote Sensor w/ Plenum-Rated Cable, 5' (1.5m) Leads, Wire Power..... \$347

BA/WT-BLE-RPP-10-BB-PWR

Wireless Remote Sensor w/ Plenum-Rated Cable, 10' (3.0m) Leads, Wire Power..... \$349

BA/WT-BLE-RPP-15-BB-PWR

Wireless Remote Sensor w/ Plenum-Rated Cable, 15' (4.6m) Leads, Wire Power..... \$351

BA/WT-BLE-RPP-20-BB-PWR

Wireless Remote Sensor w/ Plenum-Rated Cable, 20' (6.1m) Leads, Wire Power..... \$353

BA/WT-BLE-RPP-25-BB-PWR

Wireless Remote Sensor w/ Plenum-Rated Cable, 25' (7.6m) Leads, Wire Power..... \$355

BA/WT-BLE-RPFEP-5-BB-PWR

Wireless Remote Sensor w/ FEP-Jacketed Cable, 5' (1.5m) Leads, Wire Power \$350

BA/WT-BLE-RPFEP-10-BB-PWR

Wireless Remote Sensor w/ FEP-Jacketed Cable, 10' (3.0m) Leads, Wire Power \$355

BA/WT-BLE-RPFEP-15-BB-PWR

Wireless Remote Sensor w/ FEP-Jacketed Cable, 15' (4.6m) Leads, Wire Power \$360

BA/WT-BLE-RPFEP-20-BB-PWR

Wireless Remote Sensor w/ FEP-Jacketed Cable, 20' (6.1m) Leads, Wire Power \$365

BA/WT-BLE-RPFEP-25-BB-PWR

Wireless Remote Sensor w/ FEP-Jacketed Cable, 25' (7.6m) Leads, Wire Power \$370

