



Rev. 03/14/24

Wireless Receiver

F27

Wireless System



Features & Options

- Receiver output is converted to an analog voltage or resistance by the associated Analog Output Modules
- Supports up to 32 sensors and 127 Analog Output Modules
- User adjustable settings
- Surface, snaptrack or DIN rail mountable

The Wireless Receiver from BAPI receives the data from one or more wireless sensors. The data is then transferred to the Analog Output Modules and converted to an analog voltage or resistance. The receiver supports up to 32 sensors and up to 127 different Analog Output Modules.

Receiver (top)
and Receiver with
two Analog Output
Modules mounted on
DIN rail (bottom)



ORDERING INFO:

BA/RCV-BLE-EZ.... Wireless Receiver\$300

List Price

Submittal sheets without List Prices are available on our website at www.bapivac.com

Associated Products

• Temp or Temp/Humidity Sensors

A wide range of sensors that measure and send the temp or temp/humidity data to the receiver.



• Analog Output Modules:

Converts the signal from the Receiver into an analog voltage or resistance.



Sensors



Specifications

Supply Power: 15 to 40 VDC or 12 to 24 VAC, halfwave rectified

Power Consumption: 30mA @ 24 VDC, 2.75 VA @ 24 VAC

Capacity/Unit: Up to 32 sensors and 127 different Analog Output Modules

Reception Distance: Varies by application*

Frequency: 2.4 GHz** (Bluetooth Low Energy)

Bus Cable Distance:

4,000 ft with shielded, twisted pair cable

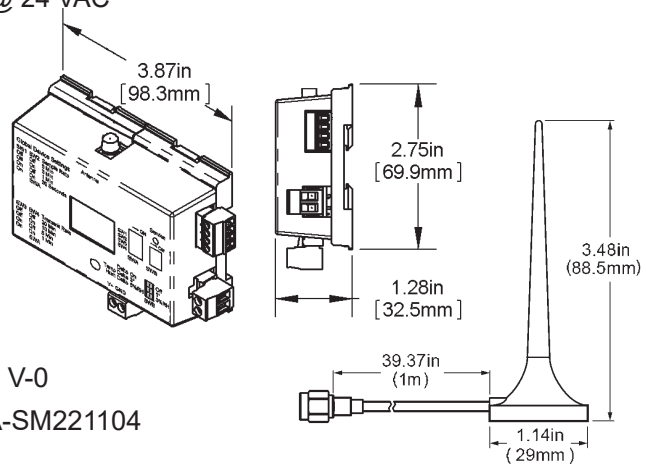
Environmental Operation Range:

Temp: 32 to 140°F (0 to 60°C)

Humidity: 5 to 95% RH non-condensing

Enclosure Material & Rating: ABS Plastic, UL94 V-0

Agency: RoHS / FCC: T4FSM221104 / IC: 9067A-SM221104



*In-building range is dependent on obstructions such as furniture and walls and the density of those materials. In wide open spaces, the distance may be greater; in dense spaces, the distance may be less.

**The gateway communicates with 2.4 GHz Wi-Fi and will not work on 5.0 GHz networks.

