



## Overview

The Resistance Output Module (ROM) converts the temperature data from the BAPI Receiver into a Resistance for the BAS controller. The unit is factory calibrated to output a 10K-2, 10K-3, 10K-3(11K) or 20K thermistor curve.

The ROM receives data from the receiver through a four-wire bus. Up to 127 different Output Modules can be connected to a single receiver to send multiple variables to the controller.

The ROM is easily trained to a single sensor variable with a pushbutton and LED. The ROM is surface, 2.75" snaptrack or 35mm DIN rail mountable.

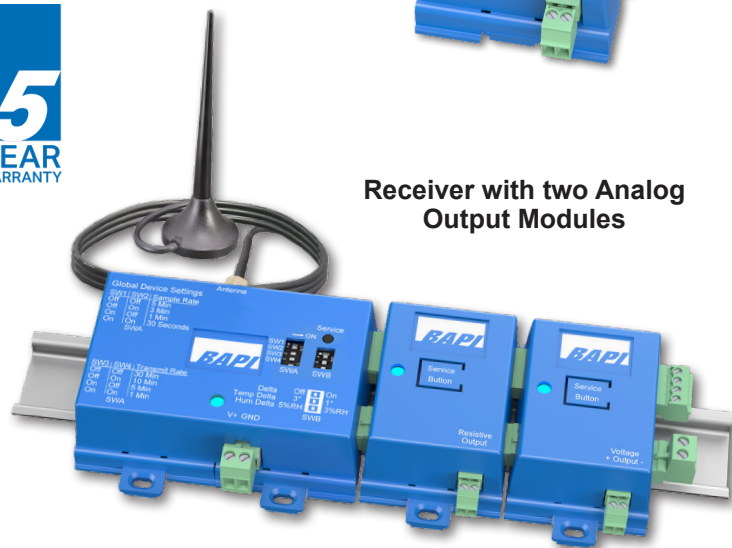
The ROM is powered by the receiver. Optionally, the ROM may be powered separately when the Pluggable Terminal Block Kit is used for remote connections.



Resistance Output Module - ROM



Receiver with two Analog Output Modules



## Specifications

**Supply Power:**

15 to 40 VDC or 12 to 24 VAC, half wave

**Power Consumption:**

20 mA @ 24 VDC, 1.55 VA @ 24 VAC

**Analog Input Bias Voltage:** 10 VDC max

**Temperature Output Ranges:**

**10K-2 Unit:**..... 35 to 120°F (1 to 50°C)

**10K-3 Unit:**..... 32 to 120°F (0 to 50°C)

**10K-3(11K) Unit:**.... 32 to 120°F (0 to 50°C)

**20K Unit:**..... 53 to 120°F (12 to 50°C)

**Output Resolution:** 100Ω

**Lost Comm. Timeout:** 35 min. (Fast Flash)

Reverts to High Resistance >35KΩ (Low Temp.)

**Bus Cable Distance:**

4,000 ft with shielded, twisted pair cable

**Environmental Operation Range:**

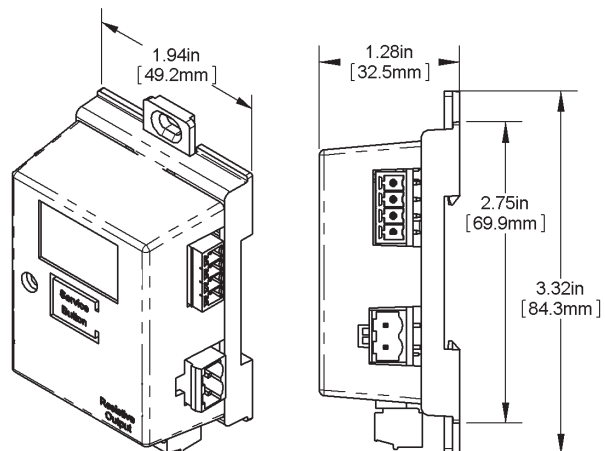
Temp: 32 to 140°F (0 to 60°C)

Humidity: 5 to 95% RH non-condensing

**Enclosure Material & Rating:**

ABS Plastic, UL94 V-0

**Agency:** RoHS





### Ordering Information

#### **PART NUMBERS**

**BA/ROM-BLE-102-EZ** ..... Resistance Output Module, 10K-2 thermistor curve

**BA/ROM-BLE-103-EZ** ..... Resistance Output Module, 10K-3 thermistor curve

**BA/ROM-BLE-10311-EZ**..... Resistance Output Module, 10K-3(11K) thermistor curve

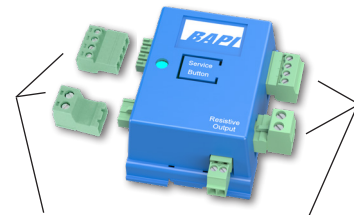
**BA/ROM-BLE-20-EZ** ..... Resistance Output Module, 20K thermistor curve

### Pluggable Terminal Blocks

Analog Output Modules (AOMs) plug into each other and the receiver as shown above. However, the AOMs may also be mounted remotely using the optional Pluggable Terminal Block Connectors which are available as a 4-connector kit.

#### **PART NUMBER:**

**BA/AOM-CONN** ..Pluggable Terminal Block Kit for AOMs



**Optional Pluggable Terminal Block Kit for AOMs (4 Connectors)**

