



## Features & Options

- User adjustable settings
- Onboard memory
- Transmits to a digital Gateway or a wireless-to-analog Receiver

The BAPI-Stat "Quantum Slim" Wireless Sensor measures the temperature and humidity and transmits the data via Bluetooth Low Energy to a receiver or gateway.

The unit features a sleek, low profile room enclosure in bright white or black color.



White and Black BAPI-Stat "Quantum Slim" Sensors

## Specifications

**Battery Power:** One included 3.6V 14505, 14500 or equivalent lithium battery (Note: Standard AA batteries are not compatible)

**Sensor Accuracy:**

Temp:  $\pm 1.25^{\circ}\text{F}$  ( $0.7^{\circ}\text{C}$ ) from 32 to 158°F (0 to 70°C)  
 Humidity:  $\pm 2\% \text{RH}$  @ 77°F (25°C), 20 to 80%RH

**Temperature Range:** -4 to 221°F (-20 to 105°C)

**Transmission Distance:** Varies by application\*

**Environmental Operation Range:**

Temp: -4 to 149°F (-20 to 65°C)  
 Humidity: 10 to 90% RH, non-condensing

**Enclosure Material & Rating:**

ABS Plastic, UL94 V-0

**Frequency:** 2.4 GHz (Bluetooth Low Energy)

**Receiver Sensitivity:** -97 dBm

**User Adjustable Settings:**

Delta T (Temp): 0.1°F/C to 5.0°F/C  
 Delta T (Humidity): 0.1%RH to 5.0%RH  
 Transmit Interval: 30 sec to 12 hour\*\*\*  
 Sample Interval: 30 sec to 5 min\*\*\*  
 Temp Offset:  $\pm 0.1^{\circ}\text{F/C}$  to  $\pm 5.0^{\circ}\text{F/C}$   
 Humidity Offset:  $\pm 0.1\% \text{RH}$  to  $\pm 3.0\% \text{RH}$

\*In-building range is dependent on obstructions such as furniture and walls and the density of those materials. In wide open spaces, the distance may be greater; in dense spaces, the distance may be less.

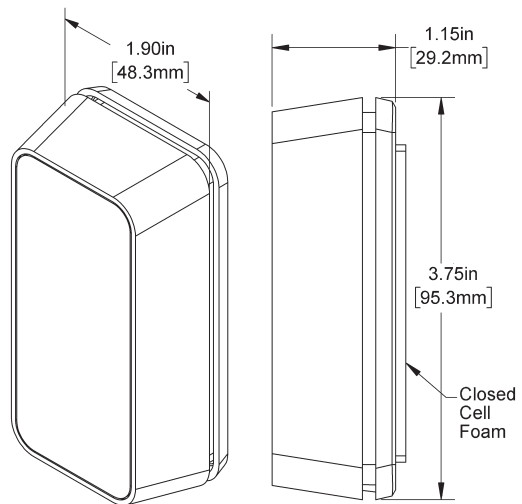
\*\*Actual battery life is dependent on the sensor's adjustable settings and environmental conditions.

\*\*\*The available transmit intervals and sample intervals are different depending on whether the system is using a gateway or a receiver.

**Onboard Memory:**

Sensor retains up to 16,000 readings should the communication become interrupted. If using a Gateway, the data is re-transmitted once communication is re-established.

**Agency:** RoHS / FCC: T4FSM220923  
 IC: 9067A-SM220923



BAPI-Stat "Quantum-Slim" Calculated Battery Life**		
Transmit Interval	Sample Rate	Estimated Life (years)
30 sec	30 sec	0.58
1 min	1 min	1.04
3 min	1 min	2.03
5 min	5 min	3.02
10 min	5 min	4.01





Submittal sheets without List Prices are available on our website at [www.bapihvac.com](http://www.bapihvac.com)

### Ordering Information

#### List Price

#### BA/WTH-BLE-QS-B-IS-BAT

Black Wireless BAPI-Stat “Quantum Slim”, Internal Temp/Humidity Sensor, Battery Power ..... \$365

#### BA/WTH-BLE-QS-W-IS-BAT

White Wireless BAPI-Stat “Quantum Slim”, Internal Temp/Humidity Sensor, Battery Power ..... \$360

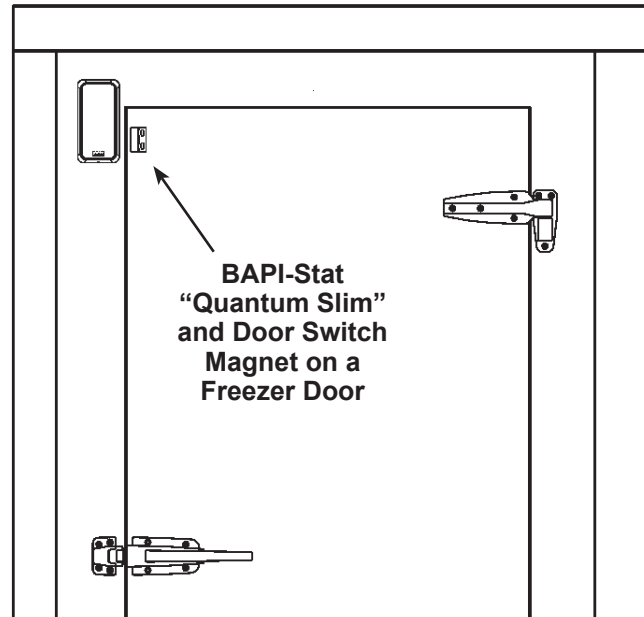
#### BA/LI14505

3.6V Lithium Battery .....\$3 (net price)

### Door Switch Magnet Accessory

The Door Switch Magnet works with BAPI’s Wireless “Quantum Slim” sensor to monitor the status of doors, including refrigerators, freezers, outside doors and garbage gates. The pickup for the Door Switch Magnet is already mounted inside all of the BAPI-Stat “Quantum Slim” units.

The magnet works with all “Quantum Slim” units including those with a remote probe or thermobuffer.



<u>Part #</u>	<u>Description</u>	<u>List Price</u>
BA/DSM ....	Door Switch Magnet .....	\$8

### Associated Receiver and Gateway

#### Receiver (Wireless-to-Analog)

Receives the data from one or more wireless sensors. The data is then transferred to the Analog Output Modules and converted to an analog voltage or resistance.

#### Gateway

Receives the data from one or more wireless sensors. The Gateway then provides the data to the cloud via MQTT.

