



Features & Options

- Built in or remote temperature sensor
- Onboard memory and user adjustable settings
- Transmits to a digital Gateway or a wireless-to-analog Receiver

The BAPI-Stat "Quantum Slim" Wireless Sensor measures the temperature and transmits the data via Bluetooth Low Energy to a receiver or gateway. It is designed to monitor temperature inside refrigerator and freezer cases. The unit mounts on the outside of freezers and can be mounted either inside or outside of refrigerators. It is available with an internal or an external sensor.

The external sensor's cable fits between the door seal or through a hole without affecting appliance efficiency.



Specifications

Battery Power: One included 3.6V 14505, 14500 or equivalent lithium battery
(Note: Standard AA batteries are not compatible)

Temperature Sensor Accuracy:
±1.25°F (0.7°C) from 32 to 158°F (0 to 70°C)

Temperature Range: -4 to 221°F (-20 to 105°C)

Transmission Distance: Varies by application*

Environmental Operation Range:
Temp: -4 to 149°F (-20 to 65°C)
Humidity: 10 to 90% RH, non-condensing

Enclosure Material & Rating: ABS Plastic, UL94 V-0

Frequency: 2.4 GHz (Bluetooth Low Energy)

Receiver Sensitivity: -97 dBm

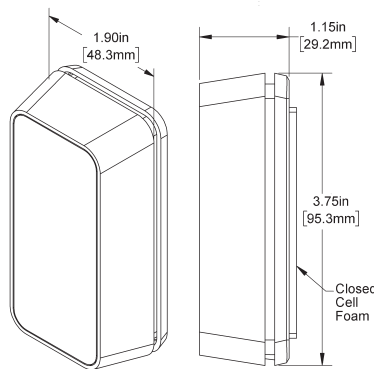
Ext. Probe Material: 304 Stainless Steel
1.75" (44mm) Bullet Probe with FEP Cable
1" (25mm) Thermobuffer with FEP Cable

User Adjustable Settings:
Delta T (Temp): 0.1°F/C to 5.0°F/C
Transmit Interval: 30 sec to 12 hour***
Sample Interval: 30 sec to 5 min***
Temp Offset: ±0.1°F/C to ±5.0°F/C

Onboard Memory:
Sensor retains up to 16,000 readings should the communication become interrupted. If using a Gateway, the data is re-transmitted once communication is re-established.

Agency: Contains FCC ID: QOQGM210P / IC: 5123A-GM210P / RoHS

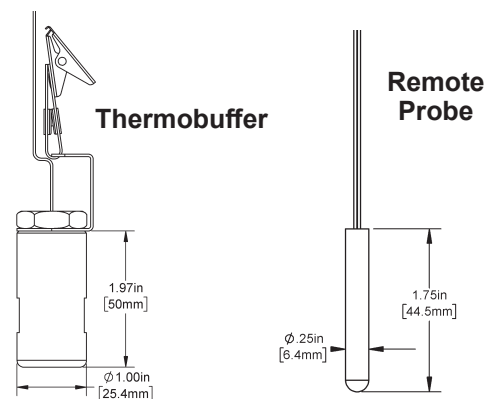
BAPI-Stat "Quantum Slim"



*In-building range is dependent on obstructions such as furniture and walls and the density of those materials. In wide open spaces, the distance may be greater; in dense spaces, the distance may be less.

**Actual battery life is dependent on the sensor's adjustable settings and environmental conditions.

***The available transmit intervals and sample intervals are different depending on whether the system is using a gateway or a receiver.



Transmit Interval	Sample Rate	Estimated Life (years)
30 sec	30 sec	0.58
1 min	1 min	1.04
3 min	1 min	2.03
5 min	5 min	3.02
10 min	5 min	4.01



BAPI-Stat "Quantum Slim" Temp Sensor

Wireless System

Submittal sheets without List Prices are available on our website at www.bapivac.com

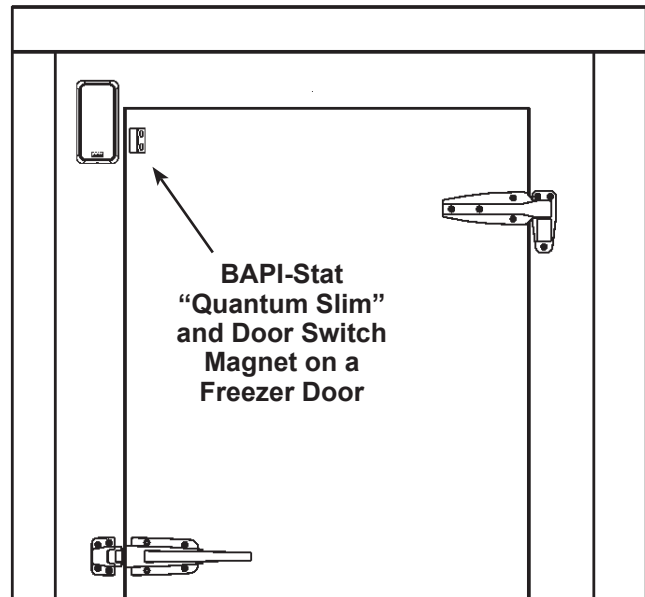
Ordering Information

	<u>List Price</u>
BA/WT-BLE-QS-B-IS-BAT Black Wireless BAPI-Stat "Quantum Slim", Internal Temp Sensor, Battery Power	\$274
BA/WT-BLE-QS-B-RPFEP5-BAT Black Wireless BAPI-Stat "Quantum Slim", Remote Probe & 5' (1.5m) FEP Cable, Battery Power	\$297
BA/WT-BLE-QS-B-X-BAT Black Wireless BAPI-Stat "Quantum Slim" without Sensor (sensor is ordered separately), Battery Power....	\$274
BA/WT-BLE-QS-B-TB-HB-FEP5-BAT Black Wireless "Quantum Slim", 1" (25mm) Hanging Thermobuffer & 5' (1.5m) FEP Cable, Battery Power....	\$384
BA/WT-BLE-QS-W-IS-BAT White Wireless BAPI-Stat "Quantum Slim", Internal Temp Sensor, Battery Power	\$269
BA/WT-BLE-QS-W-RPFEP5-BAT White Wireless BAPI-Stat "Quantum Slim", Remote Probe & 5' (1.5m) FEP Cable, Battery Power	\$292
BA/WT-BLE-QS-W-X-BAT White Wireless BAPI-Stat "Quantum Slim" without Sensor (sensor is ordered separately), Battery Power....	\$269
BA/WT-BLE-QS-W-TB-HB-FEP5-BAT White Wireless "Quantum Slim", 1" (25mm) Hanging Thermobuffer & 5' (1.5m) FEP Cable, Battery Power ...	\$379
BA/LI14505: 3.6V Lithium Battery	\$3 (net price)

Door Switch Magnet Accessory

The Door Switch Magnet works with BAPI's Wireless "Quantum Slim" sensor to monitor the status of doors, including refrigerators, freezers, outside doors and garbage gates. The pickup for the Door Switch Magnet is already mounted inside all of the BAPI-Stat "Quantum Slim" units.

The magnet works with all "Quantum Slim" units including those with a remote probe or thermobuffer.



<u>Part #</u>	<u>Description</u>	<u>List Price</u>
BA/DSM	Door Switch Magnet	\$8

Note: Use only the BAPI Door Switch Magnet. Other magnets may damage the sensor or affect the accuracy of the sensor.

Associated Receiver and Gateway

Receiver (Wireless-to-Analog) - Receives the data from one or more wireless sensors. The data is then transferred to the Analog Output Modules and converted to an analog voltage or resistance.

Gateway - Receives the data from one or more wireless sensors. The Gateway then provides the data to the cloud via MQTT.



Receiver & Output Modules

