



## Features & Options

- Included Barometric pressure sensor and optional light level sensor
- User adjustable settings
- Onboard memory
- Transmits to a digital Gateway or a wireless-to-analog Receiver

BAPI's Outside Air Wireless Sensor measures environmental values and transmits the data via Bluetooth Low Energy to a receiver or gateway. This unit features a rugged IP66-rated BAPI-Box enclosure with a UV-resistant plastic shield. It is available with optional light level sensing.



**5**  
YEAR  
WARRANTY

**Wireless  
Outside  
Air Temp  
Sensor with  
Light Level  
Sensor**

**Wireless Outside  
Air Temp Sensor**

## Specifications

**Battery Power:** Two included 3.6V 14505, 14500 or equivalent lithium batteries  
(Note: Standard AA batteries are not compatible)

**Wire Power:** 9 to 30 VDC or 24 VAC, halfwave rectified

### Sensor Accuracy:

Temp:  $\pm 1.0^{\circ}\text{F}$  ( $0.55^{\circ}\text{C}$ ) from 32 to 158 $^{\circ}\text{F}$  (0 to 70 $^{\circ}\text{C}$ )

Barometric Pressure:  $\pm 2$  mbar @ 25 $^{\circ}\text{C}$  ( $0.40''\text{H}_2\text{O}$ )

Light Level: 10 Lux + 10% of reading.

**Temperature Range:** -4 to 221 $^{\circ}\text{F}$  (-20 to 105 $^{\circ}\text{C}$ )

**Light Level Sensing Range:** 0 to 64,000 lux

**Transmission Distance:** Varies by application\*

### Environmental Operation Range:

Temp: -4 to 149 $^{\circ}\text{F}$  (-20 to 65 $^{\circ}\text{C}$ ) • Humidity: 10 to 90%RH, non-condensing

**Enclosure Rating, Material & Material Rating:** IP66, UV-Resistant Polycarbonate, UL94 V-0

**Frequency:** 2.4 GHz (Bluetooth Low Energy)

**Receiver Sensitivity:** -97 dBm

### User Adjustable Settings:

Delta T (Temp): 0.1 $^{\circ}\text{F}/\text{C}$  to 5.0 $^{\circ}\text{F}/\text{C}$  • Transmit Interval: 30 sec to 12 hour\*\*\*

Sample Interval: 30 sec to 5 min\*\*\* • Temp Offset:  $\pm 0.1^{\circ}\text{F}/\text{C}$  to  $\pm 3.0^{\circ}\text{F}/\text{C}$

### Onboard Memory:

Sensor retains up to 16,000 readings should the communication become interrupted. If using a Gateway, the data is re-transmitted once communication is re-established.

**Agency:** RoHS / FCC: T4FSM220809 / IC: 9067A-SM220809

BAPI-Box Units Calculated Battery Life**		
Transmit Interval	Sample Rate	Estimated Life (years)
30 sec	30 sec	1.04
1 min	1 min	1.95
3 min	1 min	3.46
5 min	5 min	4.63
10 min	5 min	7.02

\*In-building range is dependent on obstructions such as furniture and walls and the density of those materials. In wide open spaces, the distance may be greater; in dense spaces, the distance may be less.

\*\*Actual battery life is dependent on the sensor's adjustable settings and environmental conditions.

\*\*\*The available transmit intervals and sample intervals are different depending on whether the system is using a gateway or a receiver.





### Ordering Information

#### BATTERY POWER UNITS

##### BA/WT-BLE-O-BB-BAT

Wireless Outside Air Temp and Barometric Pressure Sensor, Battery Power

##### BA/WT-BLE-LL-O-BB-BAT

Wireless Outside Air Temp, Light Level and Barometric Pressure Sensor, Battery Power

**BA/LI14505:** 3.6V Lithium Battery

#### WIRE POWER UNITS

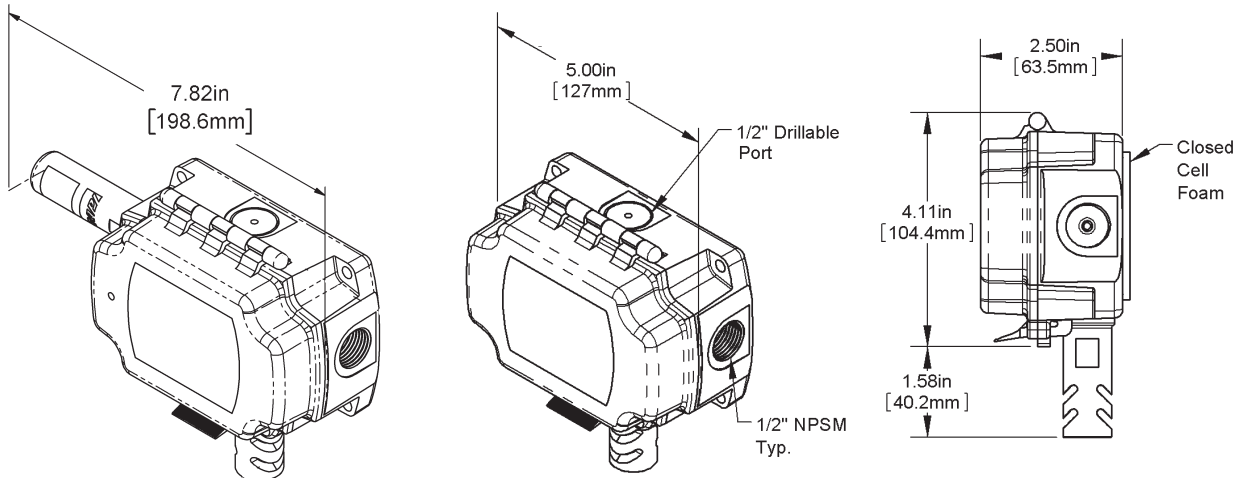
##### BA/WT-BLE-O-BB-PWR

Wireless Outside Air Temp and Barometric Pressure Sensor, Wire Power

##### BA/WT-BLE-LL-O-BB-PWR

Wireless Outside Air Temp, Light Level and Barometric Pressure Sensor, Wire Power

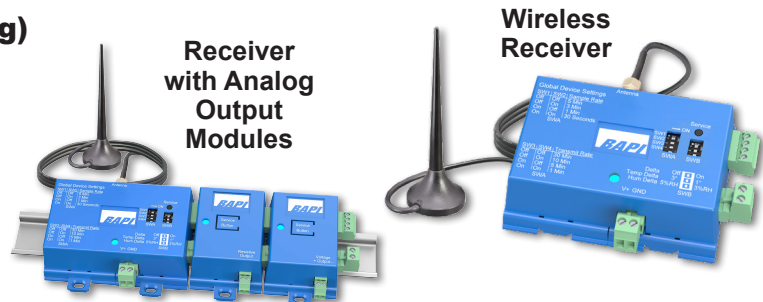
### Dimensions



### Wireless Receiver and Gateway

#### RECEIVER (Wireless-to-Analog)

The Wireless Receiver from BAPI receives the data from one or more wireless sensors. The data is then transferred to the Analog Output Modules and converted to an analog voltage or resistance. The receiver supports up to 32 sensors and up to 127 different Analog Output Modules.



#### GATEWAY

The Wireless Gateway from BAPI receives the data from one or more wireless sensors. The Gateway then provides the data to the cloud via MQTT. The Gateway also sends a confirmation signal to each sensor upon a successful reception of data. If the sensor doesn't receive this confirmation, it will retry its transmission to the Gateway. The Gateway supports up to 32 sensors.

