



Features & Options

- Included Barometric pressure sensor and optional light level sensor
- User adjustable settings
- Onboard memory
- Transmits to a digital Gateway or a wireless-to-analog Receiver

BAPI's Outside Air Wireless Sensor measures environmental values and transmits the data via Bluetooth Low Energy to a receiver or gateway. This unit features a rugged IP66-rated BAPI-Box enclosure with a UV-resistant plastic shield. It is available with optional light level sensing.



Wireless
Outside Air
Temp and
Humidity
Sensor

Wireless Outside
Air Temp and
Humidity Sensor
with Light Level
Sensor

Specifications

Battery Power: Two included 3.6V 14505, 14500 or equivalent lithium batteries
(Note: Standard AA batteries are not compatible)

Wire Power: 9 to 30 VDC or 24 VAC, halfwave rectified

Sensor Accuracy:

Temp: $\pm 1.0^{\circ}\text{F}$ (0.55°C) from 32 to 158 $^{\circ}\text{F}$ (0 to 70 $^{\circ}\text{C}$)
Humidity: $\pm 2\% \text{RH}$ @ 77 $^{\circ}\text{F}$ (25 $^{\circ}\text{C}$), 20 to 80%RH
Barometric Pressure: $\pm 2 \text{ mbar}$ @ 25 $^{\circ}\text{C}$ (0.40 $^{\circ}\text{H}_2\text{O}$)
Light Level: 10 Lux + 10% of reading.

Temperature Range: -4 to 221 $^{\circ}\text{F}$ (-20 to 105 $^{\circ}\text{C}$)

Light Level Sensing Range: 0 to 64,000 lux

Transmission Distance: Varies by application*

Environmental Operation Range:

Temp: -4 to 149 $^{\circ}\text{F}$ (-20 to 65 $^{\circ}\text{C}$) • Humidity: 10 to 90%RH, non-condensing

Enclosure Rating, Material & Material Rating: IP66, UV-Resistant Polycarbonate, UL94 V-0

Frequency: 2.4 GHz (Bluetooth Low Energy)

Receiver Sensitivity: -97 dBm

User Adjustable Settings:

Delta T (Temp): 0.1 $^{\circ}\text{F}/\text{C}$ to 5.0 $^{\circ}\text{F}/\text{C}$ • Delta T (Humidity): 0.1%RH to 5.0%RH
Transmit Interval: 30 sec to 12 hour*** • Sample Interval: 30 sec to 5 min***
Temp Offset: $\pm 0.1^{\circ}\text{F}/\text{C}$ to $\pm 5.0^{\circ}\text{F}/\text{C}$ • Humidity Offset: $\pm 0.1\% \text{RH}$ to $\pm 3.0\% \text{RH}$

Onboard Memory:

Sensor retains up to 16,000 readings should the communication become interrupted. If using a Gateway, the data is re-transmitted once communication is re-established.

Agency: RoHS / FCC: T4FSM220809 / IC: 9067A-SM220809

BAPI-Box Units Calculated Battery Life**		
Transmit Interval	Sample Rate	Estimated Life (years)
30 sec	30 sec	1.04
1 min	1 min	1.95
3 min	1 min	3.46
5 min	5 min	4.63
10 min	5 min	7.02

*In-building range is dependent on obstructions such as furniture and walls and the density of those materials. In wide open spaces, the distance may be greater; in dense spaces, the distance may be less.

**Actual battery life is dependent on the sensor's adjustable settings and environmental conditions.

***The available transmit intervals and sample intervals are different depending on whether the system is using a gateway or a receiver.





Outside Air Temp/Humidity Sensor

F17

Wireless System

Submittal sheets without List Prices are available on our website at www.bapivac.com

Ordering Information

BATTERY POWER UNITS

List Price

BA/WTH-BLE-O-BB-BAT

Wireless Outside Air Temp/Humidity and Barometric Pressure Sensor, Battery Power \$406

BA/WTH-BLE-LL-O-BB-BAT

Wireless Outside Air Temp/Humidity, Light Level & Barometric Pressure Sensor, Battery Power ... \$441

BALI14505: 3.6V Lithium Battery \$3 (net price)

WIRE POWER UNITS

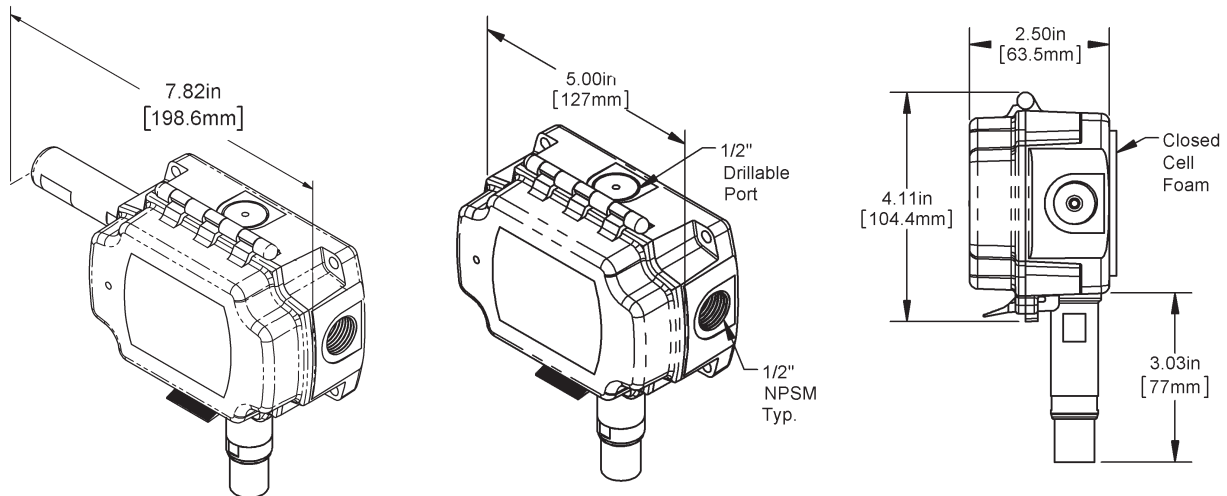
BA/WTH-BLE-O-BB-PWR

Wireless Outside Air Temp/Humidity and Barometric Pressure Sensor, Wire Power \$406

BA/WTH-BLE-LL-O-BB-PWR

Wireless Outside Air Temp/Humidity, Light Level & Barometric Pressure Sensor, Wire Power \$441

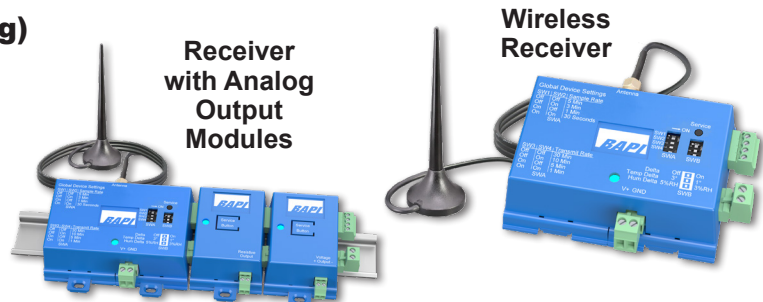
Dimensions



Wireless Receiver and Gateway

RECEIVER (Wireless-to-Analog)

The Wireless Receiver from BAPI receives the data from one or more wireless sensors. The data is then transferred to the Analog Output Modules and converted to an analog voltage or resistance. The receiver supports up to 32 sensors and up to 127 different Analog Output Modules.



GATEWAY

The Wireless Gateway from BAPI receives the data from one or more wireless sensors. The Gateway then provides the data to the cloud via MQTT. The Gateway also sends a confirmation signal to each sensor upon a successful reception of data. If the sensor doesn't receive this confirmation, it will retry its transmission to the Gateway. The Gateway supports up to 32 sensors.

