

Rev. 08/13/15

Features & Options

- Wireless 100 Foot Open Field Range
- Built in or Remote Temperature Sensor
- Four Year Battery Life
- Slim Unobtrusive Design That Is Easy To Mount
- Two Year Warranty

The BAPI-Slim Wireless Temperature Transmitter is designed to monitor temperature inside refrigerator and freezer cases. The BAPI-Slim mounts on the outside of freezer units and can be mounted either inside or outside of refrigerator units. The unit is available with an internal sensor or external sensor.

The external sensor's ribbon cable can easily fit between the door seal or the through hole without affecting appliance efficiency. The temperature is then transmitted at 30-second intervals to the receiver with a measurement range of -40 to 185°F (-40 to 85°C).



**BAPI-Slim
Wireless
Temperature
Transmitter
with Remote
Probe Sensor**

Specifications

Supply Power: One 3.6 VDC Lithium Battery (included)
4 Year Replaceable, 1/2 AA, (3.6 VDC)

LED: LED Transmit Lamp Inside Cover

Sensor: Thermistor, 10K-2

Internal: Located at Bottom of Case

External: RJ11 Jack

1.75" SS Sensor w/ Ribbon Cable

1" Thermobuffer w/ Ribbon Cable

Measurement Range: -40 to 185°F (-40 to 85°C)

Accuracy: ±1.0°F (±0.55°C) from -40 to 185°F (-40 to 85°C)

Environmental:

-22 to 122°F (-30 to 50°C), 0 to 95% RH non-condensing

Case Material & Material Rating: ABS Plastic, UL94 V-0

Ext. Probe Material: 304 Stainless Steel (SS)

Transmitter Mounting:

Keyhole Screw Mounts (Screws not included)

Double-Sided Mounting Tape (Included)

Sensor Mounting:

Remote Probe: Plastic Holder (BA/FPB)

Thermobuffer: Hanging Rack Clip (Included)

Radio Frequency: 418 MHz @ 1mW

Transmitter Interval:

Factory selectable from 10 seconds to 10 minutes in 5 second intervals (30 seconds default)

Antenna: Helical Coil Type Built into Case

Transmission Range:

Up to 100 Feet Open Air (418 MHz @ 1mW)

Up to 1,000 Feet Open Air w/ Repeater (900MHz @ 100mW)

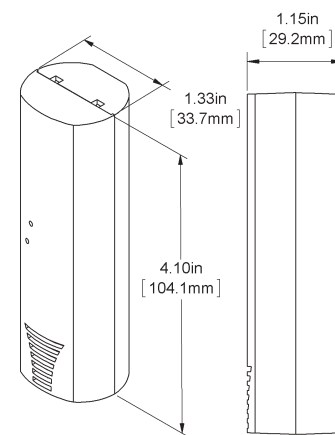
FCC Approval:

FCC Rules Part 15, Subpart B

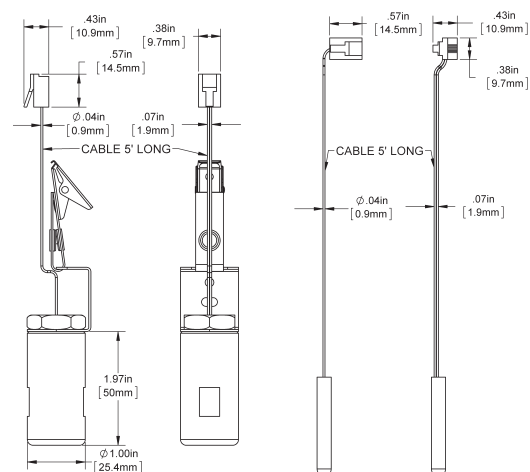
FCC ID# T4FSM061025 (418MHz Only)

Agency:

RoHS and Industry Canada (IC:9067A-SM061025)



**BAPI-Slim Wireless
Temperature Transmitter**



**External Hanging
Thermobuffer Sensor**

**External Remote
Probe Sensor**

Rev. 08/13/15

Ordering Information

<u>PART #</u>	<u>Description</u>
ALC/WT-SL-IS	BAPI-Slim with Internal Sensor (no external sensor jack)
ALC/WT-SL-RP-R5-RJ11	BAPI-Slim with 1.75" SS External Probe and 5ft PVC Ribbon Cable
ALC/WT-SL-RP-R10-RJ11	BAPI-Slim with 1.75" SS External Probe and 10ft PVC Ribbon Cable
ALC/WT-SL-RP-FEP5-RJ11 ..	BAPI-Slim with 1.75" SS External Probe and 5ft FEP Round Cable
ALC/WT-SL-RP-FEP10-RJ11	BAPI-Slim with 1.75" SS External Probe and 10ft FEP Round Cable
ALC/WT-SL-TB-R5-RJ11	BAPI-Slim with 1" Hanging Thermobuffer and 5ft PVC Ribbon Cable
ALC/WT-SL-TB-R10-RJ11	BAPI-Slim with 1" Hanging Thermobuffer and 10ft PVC Ribbon Cable
ALC/WT-SL-TB-FEP5-RJ11 ..	BAPI-Slim with 1" Hanging Thermobuffer and 5ft FEP Round Cable
ALC/WT-SL-TB-FEP10-RJ11	BAPI-Slim with 1" Hanging Thermobuffer and 10ft FEP Round Cable

Note: The units ordered with an External Probe or Hanging Bracket come with an RJ11 connector on the transmitter circuit board. The unit with an internal sensor doesn't include the RJ11 connector.

Related Products

<u>Part Number</u>	<u>Description</u>
ALC/BAT-5AA	Replacement Battery for BAPI-Slim Sensor, 1/2 AA, 3.6 VDC
ALC/RCV418-WAM-x	418 MHz Wireless Receiver for BAPI WAM Website Access
ALC/RPT49-EA-EZ	418 MHz to 900MHz Repeater
ALC/418-PM-IP:	RF Point Manager, Rx-418 MHz only, with 6' dipole antenna
ALC/900-PM-IP-EA:	RF Point Manager, Rx & Tx-900MHz, with 6' dipole antenna
ALC/49-PM-IP:	RF Point Manager, Rx-418 & 900 MHz, & Tx-900 MHz

