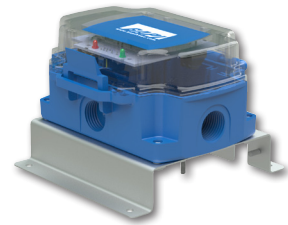




Features & Options

- Detection Within 5 Seconds with Local LED Alarm Indication
- 5 Amp or 0.5 Amp Relays @ 30VAC/DC
- One Piece, Rope or Remote Sensor Design
- NEMA 4 Enclosure

The Water Leak Detector is designed to sense the presence of water and alert a central monitoring system of the potentially destructive situation. Upon water detection, the alarm relays change state, and a local red LED illuminates. The transmitter can be set for latching or non-latching alarm, and normally energized or normally de-energized operation.



Detector with Attached Sensor



Detector with Rope Sensor



Detector with Remote Sensor

Specifications

Power: 24VAC $\pm 10\%$ (If VDC power is required, call your BAPI representative.)
 5 Amp Relays: 4 Watt/ 4 VA max • 0.5 Amp Relays: 2 Watt/ 2 VA max
 (5 Amp and 0.5 Amp relays are not intended to switch a load.)

Wiring: Flex Connector or Liquid Tight Fitting
 Relays.....Up to 6 wires for Alarm Contacts
 Transmitter2 wires for Power

Sensor:
 AttachedSS probe w/ adjustable depth screw from 0.063 to 0.84"
 Remote Sensor w/ adjustable depth from 0.062 to 0.5", Mounts to pan with industrial adhesive tape or 0.172" mounting holes
 Rope Long Line Wire Sensor, Plenum Rated.
 Detects 1/8" of water over the full length.

Alarm Contacts :
 LDT1:..... One SPST, 0.5A relay output, 10W max.
 LDT2:..... Two SPST, 0.5A relay outputs, 10W max.
 LDT3: One SPDT, 5A relay output
 LDT4:..... Two SPDT, 5A relay outputs

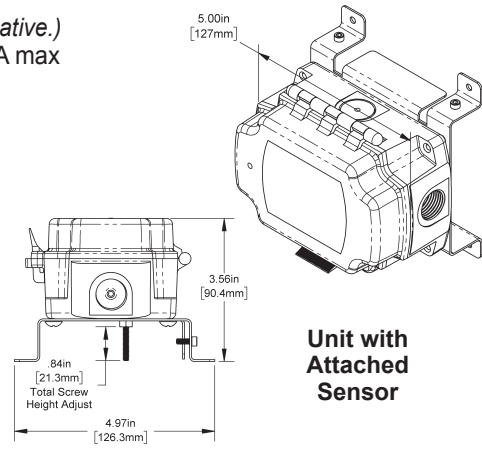
Indication: 1 Green Power LED, 1 Red Alarm LED
Reset Action: If latching, local pushbutton or power interrupt
Termination: Terminal Strip, 12 to 24 AWG

Latching and Supervised Relay Options:
 Latching Relay stays in alarm until manually reset or power is cycled
 Non-Latching.. Relay automatically resets after water is removed (default)
 Unsupervised.. Relay energizes on water detection
 Supervised..... Relay de-energizes on water detection (default)
 Note: Relay de-energizes on loss of power

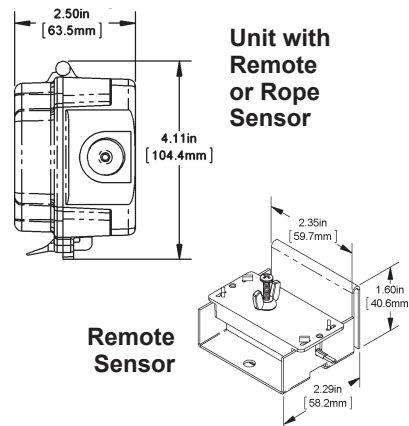
Enclosure Ratings:
 Remote Sensor.. Submersible, with FEP plenum-rated, waterproof cable
 Detector BAPI-Box, NEMA 4 Polycarbonate Enclosure

Ambient:
 Remote Sensor..... -40 to 185°F (-40 to 85°C), 0 to 100%RH, Condensing
 Rope Sensor..... 32 to 167°F (0 to 75°C), 0 to 95%RH, Non-condensing
 Detector (BB)..... -40 to 185°F (-40 to 85°C), 0 to 95%RH, Non-condensing

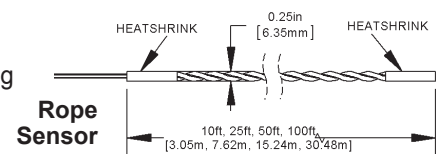
Agency: RoHS, UL94V-0 , UV-rated in Enclosure



Unit with Attached Sensor



Remote Sensor



Rope Sensor





Submittal datasheets without List Prices are available on our website at www.bapihvac.com

Water Leak Detector Option Selection Guide

BA/ (#1) - (#2) - (#3)

#1: Leak Detector Transmitter (required)		List Price
LDT1.....	Water leak detector transmitter w/ one 0.5A SPST contacts	\$114
LDT2.....	Water leak detector transmitter w/ two 0.5A SPST contacts.....	\$124
LDT3.....	Water leak detector transmitter w/ one SPDT 5A contacts	\$120
LDT4.....	Water leak detector transmitter w/ two SPDT 5A contacts.....	\$130
#2: Probe Sensor (required)		
PS.....	Probe Sensor built into the enclosure	\$32
RS5.....	Remote Spot Sensor with 5 foot FEP cable.....	\$36
RS10.....	Remote Spot Sensor with 10 foot FEP cable.....	\$41
RS25.....	Remote Spot Sensor with 25 foot FEP cable.....	\$56
RR10	Remote Rope Sensor with 10 foot Plenum Rated Sensor Cable	\$174
RR25	Remote Rope Sensor with 25 foot Plenum Rated Sensor Cable	\$423
RR50	Remote Rope Sensor with 50 foot Plenum Rated Sensor Cable	\$839
RR100	Remote Rope Sensor with 100 foot Plenum Rated Sensor Cable	\$1,671
#3: Enclosure and Fitting Options (required)		
BB.....	BAPI-Box enclosure, IP66 rated	\$12
BB-LTF	BAPI-Box enclosure, IP66 rated, w/ Liquid tight fitting.....	\$22
BB-GFF	BAPI-Box enclosure, IP66 rated, w/ flex connector	\$13

Submittal sheets without List Prices can be downloaded from our website at www.bapihvac.com

Example Number: BA/ (**LDT1**) - (**RR10**) - (**BB**)

Actual Number (with parenthesis removed): BA/LDT1-RR10-BB

Description: Detector with one 0.5A contact, 10' Remote Rope Sensor and BAPI-Box Enclosure

List Price: \$114 (One contact 0.5A) + \$174 (10' Rope Sensor) + \$12 (BAPI-Box) = \$300 List Price

Your Number: BA/



Replacement Remote Spot or Remote Rope Sensors

For use as updates to existing systems or built-in (-PS) probe Sensors

<u>Sensor Type</u>	<u>List Price</u>	
BA/RS5.....	Remote Spot Water Sensor with 5 foot FEP cable	\$36
BA/RS10.....	Remote Spot Water Sensor with 10 foot FEP cable	\$41
BA/RS25.....	Remote Spot Water Sensor with 25 foot FEP cable	\$56
BA/RR10.....	Remote Rope Sensor with 10 foot Plenum Rated Sensor Cable	\$174
BA/RR25.....	Remote Rope Sensor with 25 foot Plenum Rated Sensor Cable	\$423
BA/RR50.....	Remote Rope Sensor with 50 foot Plenum Rated Sensor Cable	\$839
BA/RR100.....	Remote Rope Sensor with 100 foot Plenum Rated Sensor Cable	\$1,671

Your Number: BA/

