



Features & Options

- Etched Teflon Leadwires and Foamback Insulator
- Three Override Pushbutton Options
- Wide Selection of Temperature Sensing Elements
- Limited Lifetime Warranty

Wall Plates are ideal for areas where a discreet, rugged zone sensor is required. All Wall Plates feature ¼" closed cell foam backing which covers the plate and insulates it from wall temperature. All units also feature etched Teflon leadwires and double encapsulated sensors to create a watertight package that can perform in the real world.

Override

A momentary Override is available as a Keyswitch or three styles of Pushbutton — Standard and Low Profile. The Standard model features a small, momentary pushbutton. The Low Profile Model is water resistant for washdown/wipedown applications and is available with a green LED indicator.



Color and Finish Options

Wall Plates are available in aluminum or stainless steel with a metallic finish; however, many other color and finish options are available as special orders. Call BAPI for details.



Specifications

Material:

Aluminum or Stainless Steel

Sensing Element:

Thermistor or RTD

(See Sensors Sect. for Specs.)

Environmental Operation Range:

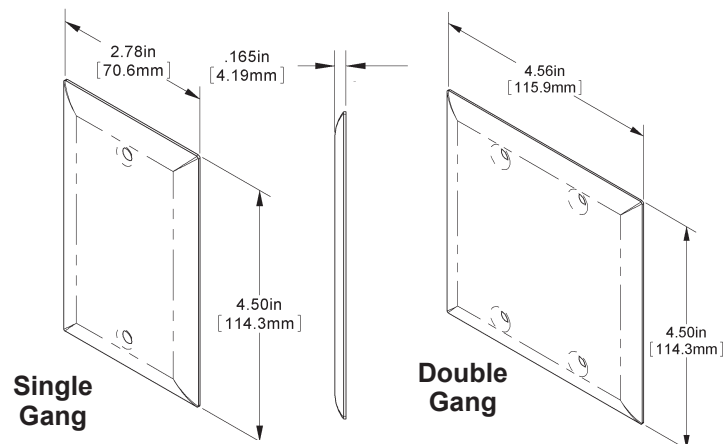
Temperature:

-40 °C to 100 °C

-20 °C to 70 °C with transmitter

Humidity:

0 to 95%, non-condensing



Associated Products

Spanner Security Screws & Spanner Bit

Spanner Security Screws and the Spanner Bit are available for any Stainless Steel Wall Plate Unit. For more info, see Accessories.





Use the Option Selection Guides below to create your custom part number. Replace the number and parenthesis with the designator for each selection. Skip the designator and dashes for optional selections that are not required in your configuration. Additional options are available but not shown above. Contact BAPI for the complete list of options.



Option Selection Guide
Wall Plate
Temperature Sensors

BA/ (#1) - (#2) - (#3) - (#4)

#1: Temp Sensor (Required)
 1.8K 1.8K Thermistor
 3K 3K Thermistor
 10K-2 10K-2 Thermistor
 10K-3 10K-3 Thermistor
 10K-3[11K]... 10K-3[11K] Thermistor
 20K 20K Thermistor
 1K[375] 1K Plat. RTD (375 curve)
 1K 1K Plat. RTD (385 curve)
 1K[NI]..... 1K Nickel RTD

#2: Material (Required)
 SP Stainless Steel Wall Plate
 AP Aluminum Wall Plate

#3: Override Pushbutton (Optional)
 O Standard Pushbutton
 O2 Low Profile Pushbutton
 O2G24 Low Profile with Green LED

#4: Security Screws (Optional)
 SEC1 Spanner Security Screws

Option Selection Guide
Wall Plate
Temperature Transmitters

BA/ (#1) (#2) - (#3) - (#4)

#1: Output (Required)
 T1K 4 to 20mA Output
 TXS05 0 to 5V Output*
 TXS10 0 to 10V Output*
 TXS12 2 to 10V Output*
 TXS15 1 to 5V Output*

#2: Temperature Range (Required)
 [32 TO 212F] ... 32 to 212°F Range
 [20 TO 120F] ... 20 to 120°F Range
 [0 TO 100F] 0 to 100°F Range
 [0 TO 100C] 0 to 100°C Range
 [-7 TO 49C] -7 to 49°C Range
 [-18 TO 38C] -18 to 38°C Range

#3: Material (Required)
 SP Stainless Steel Wall Plate
 AP Aluminum Wall Plate

#4: Security Screws (Optional)
 SEC1 Spanner Security Screws

*Voltage outputs are field selectable

Example Number:
 BA/(10K-2) - (SP) - (O2G24) - ()
 BA/10K-2-SP-O2G24 (no parenthesis)

Description: 10K-2 Thermistor, Stainless Steel Wall Plate Sensor, Low Profile Pushbutton Override with Green LED

Example Number:
 BA/(T1K)([32 TO 212F]) - (SP) - ()
 BA/T1K[32 TO 212F]-SP (no parenthesis)

Description: 4 to 20mA Transmitter, 32 to 212°F Range, Stainless Steel Wall Plate Sensor

Your Number: BA/