



Features & Options

- Etched Teflon Leadwires and Foamback Insulator
- Three Override Pushbutton Options
- Wide Selection of Temperature Sensing Elements
- Limited Lifetime Warranty

Wall Plates are ideal for areas where a discreet, rugged zone sensor is required. All Wall Plates feature ¼" closed cell foam backing which covers the plate and insulates it from wall temperature. All units also feature etched Teflon leadwires and double encapsulated sensors to create a watertight package that can perform in the real world.

Override

A momentary Override is available as a Keyswitch or three styles of Pushbutton — Standard and Low Profile. The Standard model features a small, momentary pushbutton. The Low Profile Model is water resistant for washdown/wipedown applications and is available with a green LED indicator.



Color and Finish Options

Wall Plates are available in aluminum or stainless steel with a metallic finish; however, many other color and finish options are available as special orders. Call BAPI for details.



Specifications

Material:

Aluminum or Stainless Steel

Sensing Element:

Thermistor or RTD

(See Sensors Sect. for Specs.)

Environmental Operation Range:

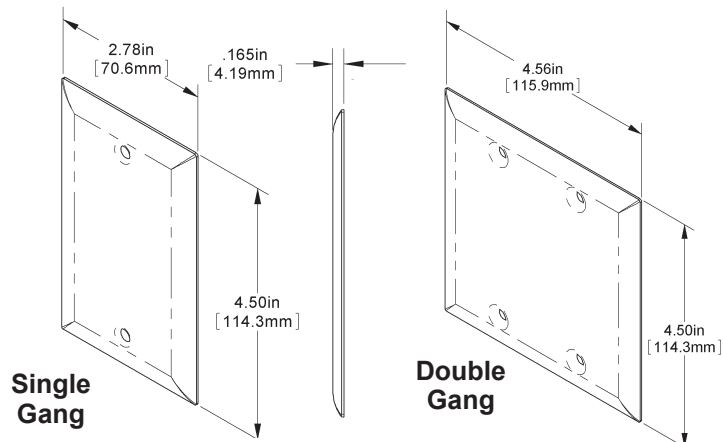
Temperature:

-40 °C to 100 °C

-20 °C to 70 °C with transmitter

Humidity:

0 to 95%, non-condensing



Associated Products

Spanner Security Screws & Spanner Bit

Spanner Security Screws and the Spanner Bit are available for any Stainless Steel Wall Plate Unit. For more info, see Accessories.





Submittal sheets without List Prices are available on our website at www.bapihvac.com

Use the Option Selection Guide below to create your custom part number. Replace the number and parenthesis with the designator for each selection. Skip the designator and dashes for optional selections that are not required in your configuration.

Wall Plate Option Selection Guide

BA/ (#1) - (#2) - (#3) - (#4)

#1: Temperature Sensor (required)		List Price
1K[375]	1K Platinum RTD (375 curve)	\$25
1K[Ni]	1K Ω Nickel RTD	\$65
1K	1K Platinum RTD (385 curve)	\$25
1.8K	1.8K Thermistor	\$18
3K	3K Thermistor	\$18
10K-2	10K-2 Thermistor	\$18
10K-3	10K-3 Thermistor	\$18
10K-3[11K]	10K-3[11K] Thermistor	\$18
20K	20K Thermistor	\$18

Transmitters for 4 to 20 mA Temperature Output

T1K[32 TO 212F]	1K Plat. RTD Transmitter, 4 to 20 mA Output, 32 to 212°F Range	\$100
T1K[20 TO 120F]	1K Plat. RTD Transmitter, 4 to 20 mA Output, 20 to 120°F Range	\$100
T1K[0 TO 100F]	1K Plat. RTD Transmitter, 4 to 20 mA Output, 0 to 100°F Range	\$100
T1K[0 TO 100C]	1K Plat. RTD Transmitter, 4 to 20 mA Output, 0 to 100°C Range	\$100
T1K[-7 TO 49C]	1K Plat. RTD Transmitter, 4 to 20 mA Output, -7 to 49°C Range	\$100
T1K[-18 TO 38C]	1K Plat. RTD Transmitter, 4 to 20 mA Output, -18 to 38°C Range	\$100

Matched Transmitters are also available. Contact your BAPI representative for ordering.

#2: Room Sensor Style (required)

SP	Stainless Steel Wall Plate
AP	Aluminum Wall Plate

#3: Override Pushbutton (optional)

O	Standard Pushbutton	\$10
O2	Low Profile Pushbutton	\$57
O2G24	Low Profile with Green LED	\$100

#4: Security Screws (optional)

SEC1	Spanner Security Screws	\$2
------------	-------------------------------	-----

Additional options, such as rotary setpoint adjustment and communication jacks, are available for these units but not shown in this Selection Guide. Contact your BAPI representative for the complete list of options. Submittal sheets without List Prices can be downloaded from our website at www.bapihvac.com

Example Number: BA/ (10K-2) - (SP) - (O2G24) - ()

Actual Number (with parenthesis removed): BA/10K-2-SP-O2G24

Description: 10K-2 Thermistor, Stainless Steel Wall Plate Sensor, Low Profile Pushbutton Override with Green LED

List Price: \$18 (Thermistor) + \$100 (Override) = \$118 List Price

Your Number: BA/

