

Rev. 01/19/18

Features & Options

- Output is Correlated to a CO₂ Value Allowing You to Ventilate Using ASHRAE's CO₂-based Algorithm
- BAPI-Stat 4 Style Enclosure with 0 to 5 VDC or 0 to 10 VDC Output

Humans respire Volatile Organic Compounds (VOCs) as well as CO₂. The BAPI sensor measures these VOCs and indicates when a space is occupied just as well as a CO₂ sensor.

The BAPI Sensor is different from other VOC sensors because it has been optimized for Demand Controlled Ventilation (DCV). Using a calibration algorithm, the output is converted to a CO₂ level which lets you use ASHRAE's occupancy-based VRP schedule to ventilate. (More info on this converted output is available on our website bapihvac.com)

Besides from respiration, the sensor picks up VOCs from other sources such as building materials, perfumes, colognes and furniture off gassing. Using this sensor to ventilate is a way of achieving true indoor air quality and not just CO₂ dilution.

The VOC Room Sensor in the BAPI-Stat 4 Enclosure features 0 to 5 VDC or 0 to 10 VDC output with an optional indication of the VOC level as "Good, Fair or Poor" by a three-color LED on the front of the unit.

Demand Controlled Ventilation with Confidence!

Ordering Information/Part Numbers

ALC/BS4-VOC05-LED..... VOC Sensor, 0 to 5 Volt DC Output, BAPI-Stat 4 Enclosure, 3-Color LED

ALC/BS4-VOC05-BNK.... VOC Sensor, 0 to 5 Volt DC Output, BAPI-Stat 4 Enclosure

ALC/BS4-VOC10-LED..... VOC Sensor, 0 to 10 Volt DC Output, BAPI-Stat 4 Enclosure, 3-Color LED

ALC/BS4-VOC10-BNK.... VOC Sensor, 0 to 10 Volt DC Output, BAPI-Stat 4 Enclosure

Specifications

Power:

12 to 24 VDC, 50 mA Peak

18 to 24 VAC, 1.5 VA Peak

Selectable Output: 0 to 2,000 PPM CO₂ Equivalent

0 to 5 VDC or 0 to 10 VDC

Sensing Element: Micro-machined Metal Oxide

Termination: 3 Terminals, 16 to 22 AWG

Wiring: 2 Pair

Operating Environment:

32 to 122°F (0 to 50°C) • 5 to 95%RH non-condensing

Encl. Material: ABS Plastic, Material Rated UL94V-O

VOC Detection Range: 0 to 2000 ppm CO₂ Equivalent

Start-Up Time: 15 Minutes

Response Time: Less Than 2 Minutes (after Start-Up Time)

Optional LED VOC Level Indicator:

Good, Green < 1,000 PPM

Fair, Orange = 1,000 to 1,500 PPM

Poor, Red > 1,500 PPM

Mounting: 2"x4" J-Box or drywall
– screws provided

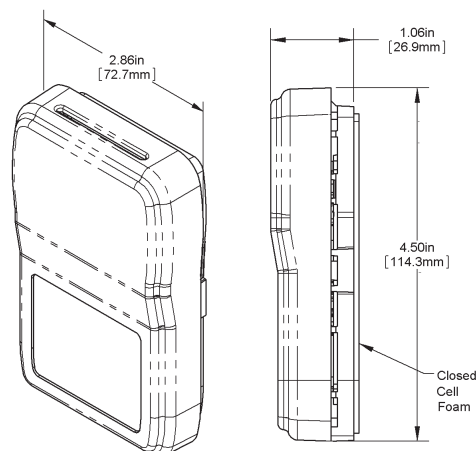
Certifications: RoHS

Warranty Period: 5 Years



VOC Sensors in the BAPI-Stat 4 Enclosure

The bottom unit has an optional VOC Level indication of "Good, Fair or Poor" shown by a 3-color LED.



Manufactured by Building Automation Products, Inc., 750 N. Royal Ave., Gays Mills, WI 54631 USA
Ph:+1-608-735-4800 • Fax:+1-608-735-4804 • E-mail:sales@bapihvac.com • Web:www.bapihvac.com

Automated Logic and the Automated Logic logo are registered trademarks of Automated Logic Corporation