



Features & Options

- Indicates Space Occupancy by Detecting Human-Generated VOCs
- Output is Correlated to a CO₂ Value Allowing You to Ventilate Using ASHRAE's CO₂-Based VRP Algorithm
- BAPI-Stat 4 Style Enclosure with 0 to 5 VDC or 0 to 10 VDC Output

Humans respire Volatile Organic Compounds (VOCs) as well as CO₂. The BAPI sensor measures these VOCs and indicates when a space is occupied just as well as a CO₂ sensor.

The advantage of the VOC sensor is that it measures air contaminants from other sources besides respiration, such as building materials, cleaners, perfumes and furniture and carpet off-gassing. Using this sensor for Demand Controlled Ventilation then is a way of achieving true indoor air quality, rather than just CO₂ dilution.

A further benefit is that it requires no additional work on your part. That's because the sensor converts the VOC reading to a CO₂ equivalent level. This lets you use ASHRAE's CO₂-based VRP schedule to ventilate. (More information on the CO₂ equivalent output is available on our website at www.bapivac.com, or in the Application Notes at the end of this section of the catalog.)

The VOC Room Sensor in the BAPI-Stat 4 Enclosure features 0 to 5 VDC or 0 to 10 VDC output with an optional indication of the VOC level as "Good, Fair or Poor" by a three-color LED on the front of the unit.



VOC Sensors in the BAPI-Stat 4 Enclosure

The bottom unit has the VOC Level of "Good, Fair or Poor" shown by a 3-color LED.

Specifications

Power:

12 to 24 VDC, 200 mA Peak
18 to 24 VAC, 12 VA Peak

Selectable Output:

0 to 2,000 PPM CO₂ at 0 to 5 or 0 to 10 VDC

Sensing Element: Micro-machined Metal Oxide

Termination: 3 Terminals, 16 to 22 AWG

Wiring: 2 Pair

Operating Environment:

32 to 122°F (0 to 50°C)
5 to 95%RH non-condensing

Enclosure Material:

ABS Plastic, Material Rated UL94V-O

VOC Detection Range: 0 to 2000 ppm CO₂ Equivalent

Start-Up Time: 15 Minutes

Response Time:

Less Than 2 Minutes (after Start-Up Time)

Mounting: 2"x4" J-Box or drywall – screws provided

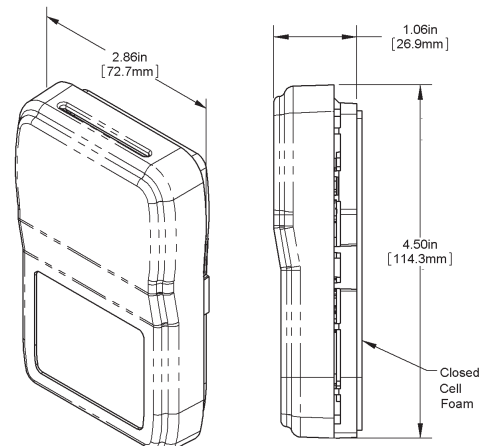
Optional LED VOC Level Indicator:

Good, Green < 1,000 PPM
Fair, Orange = 1,000 to 1,500 PPM
Poor, Red > 1,500 PPM

Certifications: RoHS

Warranty Period:

2 Years from manufacture date



VOC Sensor in the BAPI-Stat 4 Enclosure





VOC Room Sensor, BAPI-Stat 4 Enclosure

D5

Rev. 01/19/16

Air Quality Sensors

Ordering Information			VOC Room Sensor in the BAPI-Stat 4 Enclosure		
BA/BS4					
	VOC Output				
	-VOC05	VOCs Transmitted as 0 to 2,000 ppm CO2 Equivalent, 0 to 5 VDC output			
	-VOC10	VOCs Transmitted as 0 to 2,000 ppm CO2 Equivalent, 0 to 10 VDC output			
		VOC Level Indication (Must select one)			
	-LED	Green/Orange/Red LED on Logo Plate to Indicate VOC PPM Level. Includes Legend for Good, Fair and Poor.			
	-BNK	No LED, No Legend			
EXAMPLE					
BA/BS4	-VOC05	-LED			
Example Part Number: BA/BS4-VOC05-LED					
Your Part Number:					

Call BAPI if you have questions about the above ordering/pricing grid or the configuration of the product you are ordering.

