



Features & Options

- Achieves True Indoor Air Quality, Not Just CO₂ Dilution
- Output is Correlated to a CO₂ Value Allowing You to Ventilate Using ASHRAE's CO₂-Based VRP Algorithm
- BAPI-Stat 4 Style Enclosure with 0 to 5 or 0 to 10 VDC Output

Humans respire Volatile Organic Compounds (VOCs) as well as CO₂. The BAPI sensor measures these VOCs and indicates when a space is occupied just as well as a CO₂ sensor.

The advantage of the VOC sensor is that it measures air contaminants from other sources besides respiration, such as building materials, cleaners, perfumes and furniture and carpet off-gassing. Using this sensor for Demand Controlled Ventilation then is a way of achieving true indoor air quality, rather than just CO₂ dilution.

A further benefit is that it requires no additional work on your part. That's because the sensor converts the VOC reading to a CO₂ equivalent level. This lets you use ASHRAE's CO₂-based VRP schedule to ventilate. (More information on the CO₂ equivalent output is available on our website at or in the Application Notes at the end of this section of the catalog.)

The VOC Room Sensor in the BAPI-Stat 4 Enclosure features 0 to 5 VDC or 0 to 10 VDC output with an optional indication of the VOC level as "Good, Fair or Poor" by a three-color LED on the front of the unit.



VOC Sensors in the BAPI-Stat 4 Enclosure

Specifications

Power:

12 to 24 VDC, 50 mA Peak
18 to 24 VAC, 1.5 VA Peak

Selectable Output:

0 to 2,000 PPM CO₂ at 0 to 5 or 0 to 10 VDC

Sensing Element: Micro-machined Metal Oxide

Termination: 3 Terminals, 16 to 22 AWG

Wiring: 2 Pair

Operating Environment:

32 to 122°F (0 to 50°C)
5 to 95%RH non-condensing

Enclosure Material:

ABS Plastic, Material Rated UL94V-O

VOC Detection Range: 0 to 2000 ppm CO₂ Equivalent

Start-Up Time: 15 Minutes

Response Time:

Less Than 2 Minutes (after Start-Up Time)

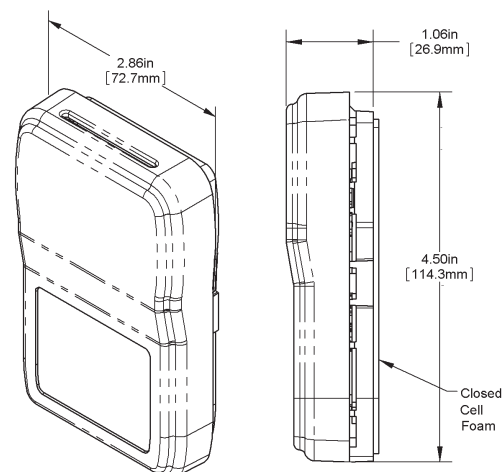
Mounting: 2"x4" J-Box or drywall – screws provided

Optional LED VOC Level Indicator:

Good, Green < 1,000 PPM
Fair, Orange = 1,000 to 1,500 PPM
Poor, Red > 1,500 PPM

Certifications: RoHS

Warranty Period: 5 Years





Ordering Information: BAPI-Stat 4 VOC Sensor

<u>Part #</u>	<u>Description</u>
BA/BS4-VOC05-LED	BAPI-Stat 4 Room VOC Sensor, 0 to 5V Output, 3-Color LED
BA/BS4-VOC05-BNK	BAPI-Stat 4 Room VOC Sensor, 0 to 5V Output, No LED
BA/BS4-VOC10-LED	BAPI-Stat 4 Room VOC Sensor, 0 to 10V Output, 3-Color LED
BA/BS4-VOC10-BNK	BAPI-Stat 4 Room VOC Sensor, 0 to 10V Output, No LED

