



Rev. 02/01/22

VC350A Voltage Converter

F3

Accessories for HVAC/R

Overview

- Compact & Cost-Effective 350 mA Unit
- Ruggedized Circuitry, Self-resetting Thermal Fuse, Operation and Fault LEDs
- Fixed or Adjustable Outputs
- Output Protected Against Overload and Shorting

BAPI's VC350A is a cost-effective way of converting 24 VAC or VDC to 5, 12, 15 or 24 VDC for use on devices that require DC voltage.

Although most BAPI room units can run on 24 VAC power, converting



VC350A mounted in optional snaptrack

EZ Voltage Converter

BAPI's 350mA EZ Voltage Converter allows for DIN Rail, Snaptrack or surface mounting. (See pg F2.)



to DC power eliminates the AC power "noise" which can affect the room sensor readings. All fixed outputs of 5, 10, 12 or 15 VDC are adjustable $\pm 10\%$. The adjustable model has an output of 5 to 24 VDC.

Ordering Information

Part Number	Description
BA/VC350A-5.....	5 VDC at 350 mA Voltage Converter
BA/VC350A-10.....	10 VDC at 350 mA Voltage Converter
BA/VC350A-12.....	12 VDC at 350 mA Voltage Converter
BA/VC350A-15.....	15 VDC at 350 mA Voltage Converter
BA/VC350A-ADJ	5 to 24 VDC (adj.) at 350 mA Voltage Converter
BA/VC350A-5-TRK	5 VDC at 350 mA with a 1.25" wide piece of 2.75" snaptrack
BA/VC350A-10-TRK	10 VDC at 350 mA with a 1.25" wide piece of 2.75" snaptrack
BA/VC350A-12-TRK	12 VDC at 350 mA with a 1.25" wide piece of 2.75" snaptrack
BA/VC350A-15-TRK	15 VDC at 350 mA with a 1.25" wide piece of 2.75" snaptrack
BA/VC350A-ADJ-TRK.....	5-24 VDC (adj.) at 350 mA with a 1.25" wide piece of 2.75" snaptrack

Submittal datasheets without List Prices are available on our website at www.bapihvac.com

Specifications

Output Voltage: 5 to 24 VDC @ 350 mA

Recommended Input Voltage: 18 to 28 VAC, 24 VDC (15 VA)

Input Voltage Limits:

Model of Unit	Minimum (VAC/VDC)	Maximum (VAC/VDC)	Input Current@ Min Input Volts (AC/DC)
5V	5.0/9.0	28.0/35.0	5.2 VA/305 mA
10V	10.0/14.7	28.0/35.0	8.3 VA/315 mA
12V	12.0/16.9	28.0/35.0	9.5 VA/318 mA
15V	15.0/20.5	28.0/35.0	11.2 VA/320 mA
ADJ (24V)	24.0/31.0*	28.0/35.0*	16.7 VA/325 mA*

*These specs are for 24V output. Lower voltage output specs are similar to the fixed model specs above.

Environmental Operation Range:

0 to 95% RH non-condensing
 -40 to 149°F (-40 to 65°C) 350 mA @ any output voltage
 -40 to 158°F (-40 to 70°C) 350 mA @ 5 VDC,
 330 mA @ 10 VDC,
 280 mA @ 12 VDC,
 224 mA @ 15 VDC,
 140 mA @ 24 VDC

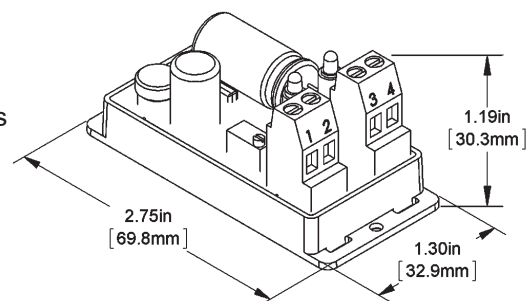
Environmental Storage Range:

-40 to 176°F (-40 to 80°C)

Wiring: 4 wires, 16 to 22 gauge

Rectification: Half-Wave Rectified

Ground: AC & DC Ground are Common



Note: The VC350A is a Class 2 circuit when it is powered from a UL Class 2 power supply.



Building Automation Products, Inc. • 750 North Royal Avenue, Gays Mills, WI 54631 USA
Tel: +1-608-735-4800 • Fax: +1-608-735-4804 • Email: sales@bapihvac.com • Web: www.bapihvac.com