



Rev. 05/26/21

VC2000 Voltage Converters

Accessories for HVAC/R

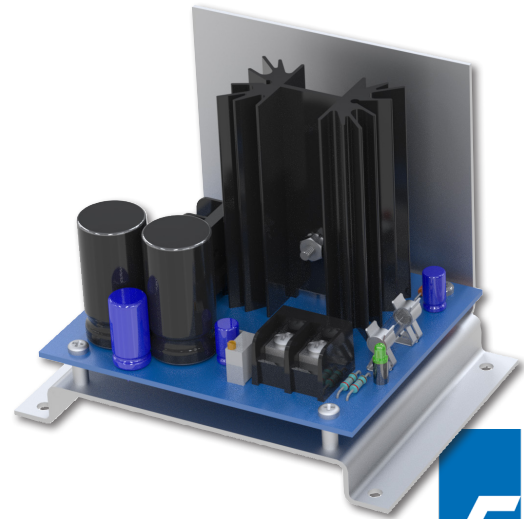
F5

Features & Options

- Compact and Cost-Effective
- Regulated and Adjustable 1.2 VDC to 24 VDC Output
- Output Protected Against Overload and Accidental Short Circuit

BAPI's VC2000 Voltage Converters are accurate, rugged and reliable power sources designed for commercial energy management applications.

The 2 Amp Voltage Converter accepts a 24 VAC input which can be field adjusted to a regulated output of 1.2 VDC to 24 VDC (factory set for 24 VDC). The input can be field configured for full or half wave rectification. The unit includes an output fuse to protect against overload and short circuits, a power indication LED, and is available with or without a backplate on the steel mounting bracket. Self-resetting or cartridge fuses may be specified at the time of order.



VC2000 with backplate and cartridge fuse



Ordering Information

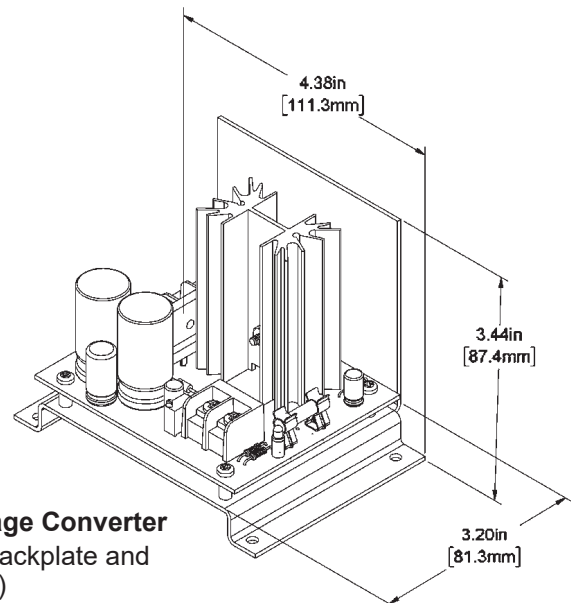
<u>Part Number</u>	<u>Description</u>	<u>List Price</u>
BA/VC2A-F	Converter without backplate, cartridge fuse.....	\$120
BA/VC2A-P	Converter without backplate, self-resetting fuse	\$120
BA/VC2B-F	Converter with backplate, cartridge fuse.....	\$120
BA/VC2B-P	Converter with backplate, self-resetting fuse	\$120

Submittal datasheets without List Prices are available on our website at www.bapihvac.com

Specifications

- Input Voltage Range:** 24 VAC (100 VA)
- Fuse Protection:** 4 Amp, output side
- Output Voltage Range:** 1.2 VDC to 24 VDC
- Maximum Output Current:** 2.0 Amps
- Operating Range:** -40 to 158°F (-40 to 70°C)
- Rectification:** Field Selectable as Full or Half Wave
- Wiring:** 16 to 22 AWG
- Warranty:** 5 years

Note: The VC2000 is a Class 2 circuit when it is powered from a UL Class 2 power supply.



VC2000 Voltage Converter (shown with backplate and cartridge fuse)

