

Many times you need to measure the temperature of the contents of a small pipe.

Figure 1 shows how a pipe tee can be used in an elbow application. A 2-inch tee and a ½ inch to 2-inch bushing allows a 4-inch thermowell to measure the temperature of the contents of a 2-inch water pipe. Temperatures in pipes as small as 1-1/4 inch may be measured by this method. In small pipes the diameter of the thermowell may become a significant obstruction, be sure to check for proper flow rates.

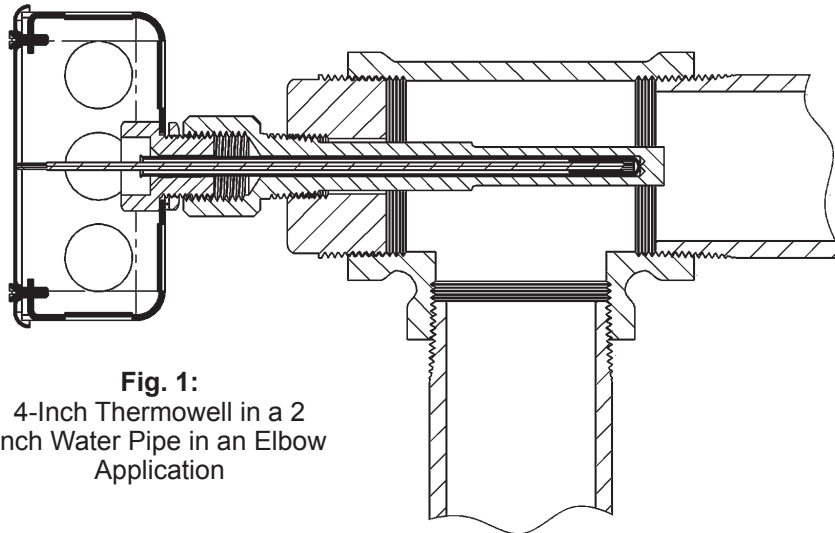


Fig. 1:
4-Inch Thermowell in a 2
Inch Water Pipe in an Elbow
Application

Alternatively, Figure 2 shows how a 2-inch tee and a ½ inch to 2-inch bushing allows a 2-inch thermowell to measure the temperature of the contents of a 2-inch water pipe.

Be sure to use a thread sealant on the outside threads of the thermowell.

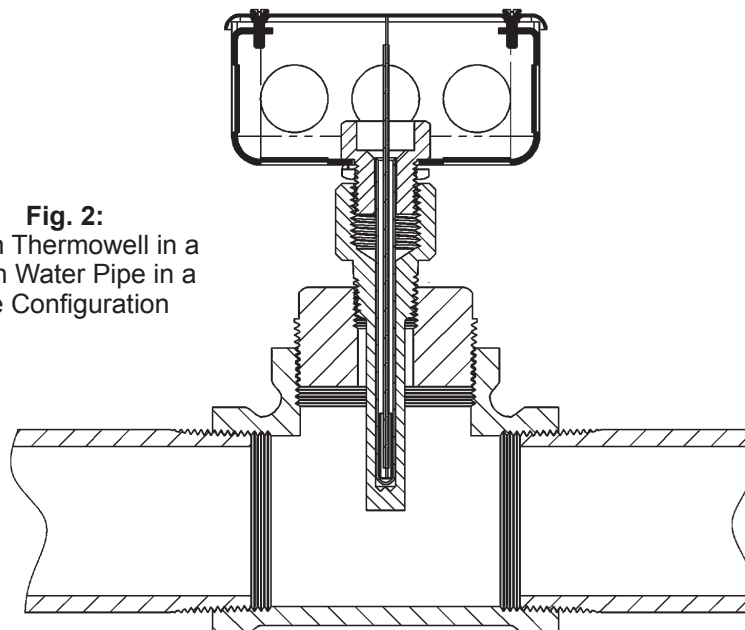


Fig. 2:
2-Inch Thermowell in a
2-Inch Water Pipe in a
Tee Configuration