



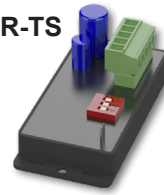
Features & Options

BAPI's Temperature Transmitter has a field adjustable output of 4 to 20 mA or 1 to 5, 0 to 5, 2 to 10, 0 to 10 VDC over a selected temperature range. (see min and max temperature ranges below). These adjustable outputs can be set at the factory to order or default set to 4 to 20mA.

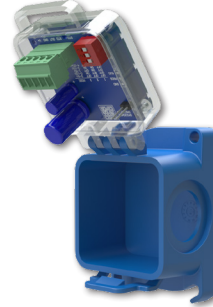
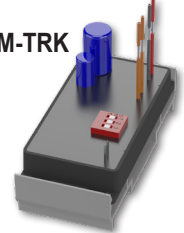
These transmitters are available with a wired connection via flying leads or a pluggable terminal block (-TS).

These transmitters can be mounted in a variety of enclosures. The unit is fully encapsulated (ruggedized) with a high thermal conductivity material to prevent circuit overheating and is water resistant. It is available with a BAPI-Box Crossover or BAPI-Box 2 enclosure.

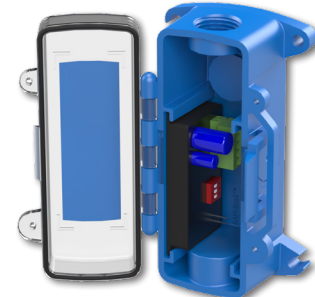
XOR-TS



XOR-STM-TRK



XOR-BBX



XOR-BB2-TS

Specifications

Power Required: 12 to 40VDC

Transmitter Output:

4 to 20mA, 0 to 5, 1 to 5, 0 to 10 or 2 to 10VDC, 850Ω@24VDC

Output Wiring: 2 Wire Loop

Flying Leads (4 to 22 AWG) or 4 Terminal Block (24 to 12 AWG)

Calibration Span:

Min. 30°F (16.6°C), Max 1000°F (555°C)

Calibration Zero:

Min. -148°F (-100°C), Max 900°F (482°C)

System Accuracy: ±0.065% of Span

Linearity: ±(0.125 × T-20°C)/100

RTD Sensor (2 Wire):

1KΩ, 2 Wire Platinum, 385 Curve Matched (M): 13 to 302°F (-25 to 150°C) with 3-point certificate (25%, 50% & 75%)

Mounting Shell:

ABS w/ waterproof urethane fill

Transmitter Ambient:

-4 to 158°F, (-20 to 70°C)
0 to 95% RH, Non-condensing

BAPI-Box 2 Enclosure Material:

UV-resistant polycarbonate, UL94 V-0

BAPI-Box 2 Enclosure Rating:

IP66, NEMA 4X

BAPI-Box Crossover Enclosure Material:

Polycarbonate (UL94 V-0) & Nylon (UL94 HB)

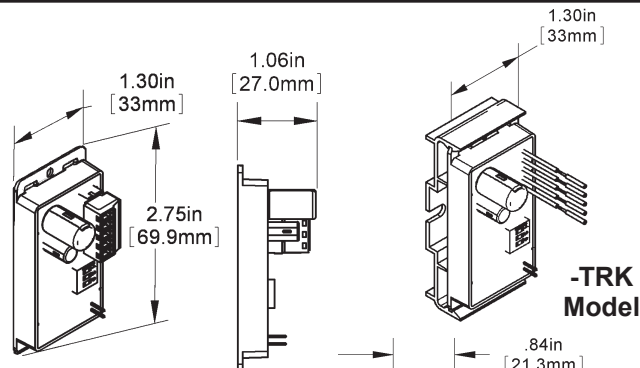
BAPI-Box Crossover Enclosure Rating:

IP10, NEMA 1 (IP44 w/ knockout plug in open port)

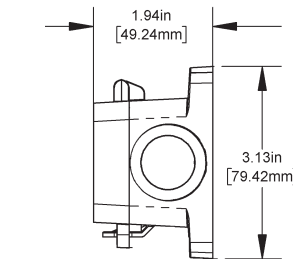
Agency: RoHS / JIS C1604-1989 /

PT=DIN43760, IEC Pub 751-1983 /

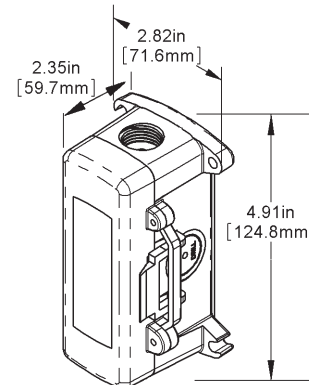
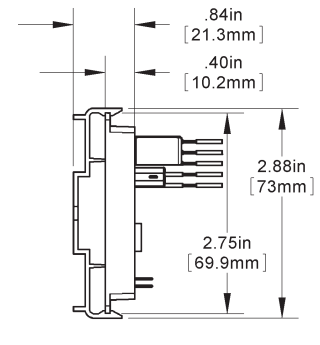
CE EN 61326-1:2013 EMC



-STM Model
(shown with optional Terminal Strip)



XOR-BBX Model



XOR-BB2 Model





Submittal sheets without List Prices are available on our website at www.bapihvac.com

Use the Option Selection Guide below to create your custom part number. Replace the number and parenthesis with the designator for each selection. Skip the designator and dashes for optional selections that are not required in your configuration.



4 to 20 mA Transmitter Option Selection Guide

BA/ (#1)(#2)(#3) - (#4) - (#5)

#1: Temperature Transmitter Type (required)

List Price

T1K.....1K Platinum RTD, 1KΩ @ 0°C with 4 to 20 mA Output	\$100
T1KM.....1K Platinum RTD, 1KΩ @ 0°C with 4 to 20mA Output and NIST certification	\$280
TXS.....1K Plat. RTD, 1KΩ @ 0°C with Field Selectable Voltage Output.....	\$100
TXSM.....1K Plat. RTD, 1KΩ @ 0°C with Field Selectable Voltage Output and NIST certification ..	\$280

#2: Voltage Output (optional, only applicable if TXS or TXSM is selected in Option #1 above)

05.....0 to 5V
10.....0 to 10V
12.....2 to 10V
15.....1 to 5V

#3: Temperature Transmitter Range (required)

[32 TO 212F] 32 to 212°F Range
[20 TO 120F] 20 to 120°F Range
[0 TO 100F] 0 to 100°F Range
[0 TO 100C]..... 0 to 100°C Range
[-7 TO 49C]..... -7 to 49°C Range
[-18 TO 38C]..... -18 to 38°C Range

#4: Configuration and Optional Enclosure (required)

XOR-STM..... Transmitter in snaptrack mountable shell, no metal plate	
XOR-TRK..... Transmitter with 1.25" wide piece of 2-3/4" snaptrack	\$5
XOR-BB2..... Transmitter in a BAPI-Box 2 enclosure (IP66).....	\$12
XOR-BBX..... Transmitter in a BAPI-Box Crossover enclosure (IP10).....	\$0

#5: Screw Terminals (optional)

TS..... Terminal Strip terminals for RTD, power and signal	\$0
--	-----

Additional options and custom ranges are available for these units but not shown in this Selection Guide. Contact your BAPI representative for the complete list of options. Submittal sheets without List Prices can be downloaded from our website at www.bapihvac.com

Example Number: BA/(TXS)(10)([0 to 100F]) - (XOR-BBX) - ()

Actual Number (with parenthesis removed): BA/TXS10[0 to 100F]-XOR-BBX

Description: T1K Transmitter, 0 to 10V Output, 0 to 100°F Range, BAPI-Box Crossover Enclosure.

List Price: \$100 (T1K Transmitter) = \$100 List Price

Your Number: BA/

