



Rev. 03/17/21

TB18 - Pluggable Terminal Block

H29

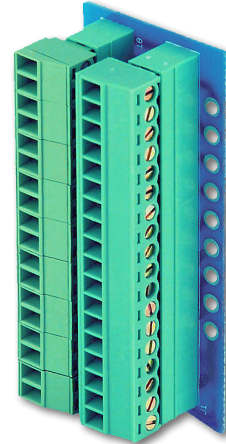
ETA Line

Overview

The TB18 - 18-Pole Pluggable Terminal Block is a small circuit board designed to simplify the task of wire termination. The TB18 is easier to apply and troubleshoot than a bunch of wires under a large wire nut or the typical barrier strip.

The TB18 board fits into the ETA line TRK Snaptrack or any other industry standard 2.75" snaptrack, and provides a straight through connection for nine pairs of wire on individual plugs.

**TB18
Pluggable
Terminal
Block**



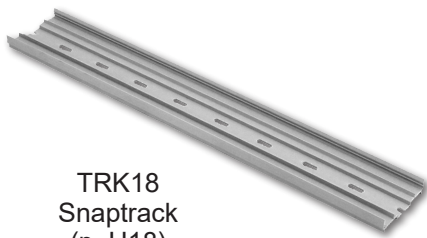
Part Number **Description**

BA/TB18..... Pluggable Terminal Block (NEC Class 2 Circuits, 4 Amp max.)

BA/TB18C Pluggable Terminal Block (NEC Class 2 Circuits, 4 Amp max.)
All odd numbered terminals are common

BA/TB18C2 Pluggable Terminal Block (NEC Class 2 Circuits, 4 Amp max.)
All odd numbered terminals are common and all even numbered terminals are common (furnished w/ 18 2-pole plugs)

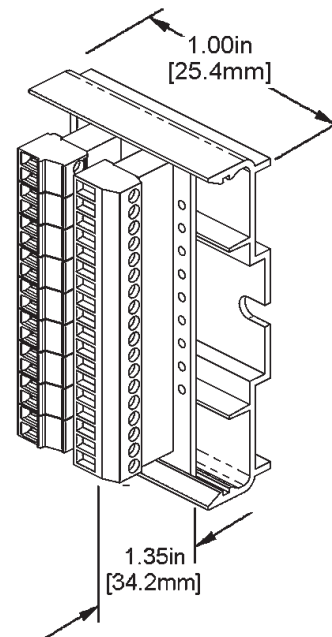
Associated Products



TRK18
Snaptrack
(p. H18)

Specifications

**TB18
mounted
in 2.75"
snaptrack**



Power Current:
NEC Class 2 Circuits, 4 Amp max.

