



## Features & Options

- BAPI-Stat 4 Enclosure
- 4 to 20 mA Temperature Output
- Optional Display
- Optional Setpoint Adjustment, Override and Communication Jack

The T1K Transmitter Room Unit comes in the BAPI-Stat 4 style enclosures. They measure the room temperature and output a 4 to 20mA signal per the custom range selected at the time of order.

The BAPI-Stat 4 Style unit offers a full range of options including setpoint, override, display, communication jack, field offset, field ranging, °F or °C and a new stylish look.



BAPI-Stat 4 Units with and without display, setpoint and override



## Specifications

### Power:

12 to 30VDC (28 VDC max. recommended)

### Transmitter Output:

4 to 20mA, 600Ω to 850Ω@24VDC

### Power Consumption:

40 mA maximum

### Sensing Element:

1KΩ Platinum RTD

(See Sensors Sect. for Specs.)

### Environmental Operation Range:

Temperature: 15°F to 130°F, (-9° to 54°C)

Humidity: 0 to 95%, non-condensing

### Mounting:

2x4" J-box or drywall mount, screws provided

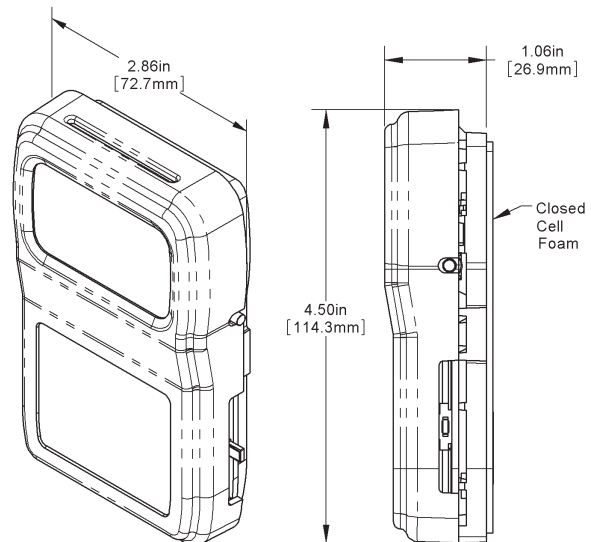
### Wiring:

1 to 3 pair of 16 to 22AWG

### Material & Rating:

BAPI-Stat 4: ABS Plastic, UL94 V-0

Agency: CE EN 61326-1:2013 EMC, RoHS





Use the Option Selection Guide below to create your custom part number. Replace the number and parenthesis with the designator for each selection. Skip the designator and dashes for optional selections that are not required in your configuration.



### T1K Room Transmitter Option Selection Guide

BA/ T1K ( #1 ) - ( #2 ) - ( #3 ) ( #4 ) ( #5 ) - ( #6 ) - ( #7 ) - ( #8 )

**#1: Temp Measurement Range** (required)

- [0 to 100F] ..0 to 100°F Temperature Range
- [50 to 90F] ..50 to 90°F Temperature Range
- [40 to 90F] ..40 to 90°F Temperature Range
- [45 to 96F] ..45 to 96°F Temperature Range
- [0 to 130F] ..0 to 130°F Temperature Range
- [0 to 150F] ..0 to 150°F Temperature Range
- [4 to 35C] ....4 to 35°C Temperature Range
- [0 to 35C] ....0 to 35°C Temperature Range
- [0 to 50C] ....0 to 50°C Temperature Range
- [0 to 100C]..0 to 100°C Temperature Range

**#2: Display** (required)

- B4SD .....BAPI-Stat 4 with Display
- B4SX .....BAPI-Stat 4, No Display

**#3: Setpoint Display Range** (required)

(Setpoint is not available for Delta Style Units)

- A .....-3 to +3
- B .....-5 to +5
- C .....50 to 90 °F or 10 to 32 °C
- D .....55 to 85 °F or 13 to 30 °C
- E .....60 to 80 °F or 15 to 27 °C
- F .....65 to 80 °F or 18 to 27 °C
- X .....No Setpoint Display

**#4: Setpoint Output Range**

(Required if a Display Range is selected in #3)

- 16..... 4 to 20 mA (requires "DF" in #8)
- 60..... 0 to 10 KΩ
- 80..... 0 to 20 KΩ
- 81..... 4.75 K to 24.75 KΩ
- 82..... 6.19 K to 26.19 KΩ
- 84..... 10 K to 30 KΩ

**#5: Setpoint Legend**

(Required if a Display Range is selected in #3)

- L6..... Cool/Warm Legend
- L0..... No Legend

**#6: Occupant Override** (required)

- J..... Override as a Separate Output
- N..... Override in Parallel with Sensor
- P..... Override in Parallel with Setpoint
- Z..... No Override

**#7: Communication Jack** (optional)

- C35L..... 3.5mm Phono Style Jack

**#8: Common or Differential Gnd** (required)

- CG..... Common Ground
- DF..... Differential Inputs

*Additional options are available for these units but not shown in this Selection Guide. Contact your BAPI representative for the complete list of options. Submittal sheets without List Prices can be downloaded from our website at [www.bapihvac.com](http://www.bapihvac.com)*

**Example #:** BA/ T1K( [50 to 90F] ) - ( B4SD ) - ( F ) ( 80 ) ( L6 ) - ( N ) - ( C35L ) - ( )

**Actual # (with parenthesis removed):** BA/T1K[50 to 90F]-B4SD-F80L6-N-C35L-CG

**Description:**

BAPI-Stat 4 Temperature Transmitter, 50 to 90°F Temperature Measurement Range, Display, 65 to 80°F Setpoint Display Range, 0 to 20KΩ Setpoint Output Range, Cool/Warm Legend, Override in Parallel with Sensor, 3.5mm Comm. Jack, Common Ground Configuration

**Your Number:** BA/

