



Features & Options

- BAPI-Stat 4 Enclosure
- 4 to 20 mA Temperature Output
- Optional Display
- Optional Setpoint Adjustment, Override and Communication Jack

The T1K Transmitter Room Unit comes in the BAPI-Stat 4 style enclosures. They measure the room temperature and output a 4 to 20mA signal per the custom range selected at the time of order.

The BAPI-Stat 4 Style unit offers a full range of options including setpoint, override, display, communication jack, field offset, field ranging, °F or °C and a new stylish look.



BAPI-Stat 4 Units with and without display, setpoint and override



Specifications

Power:

12 to 30VDC (28 VDC max. recommended)

Transmitter Output:

4 to 20mA, 600Ω to 850Ω@24VDC

Power Consumption:

40 mA maximum

Sensing Element:

1KΩ Platinum RTD

(See Sensors Sect. for Specs.)

Environmental Operation Range:

Temperature: 15°F to 130°F, (-9° to 54°C)

Humidity: 0 to 95%, non-condensing

Mounting:

2x4" J-box or drywall mount, screws provided

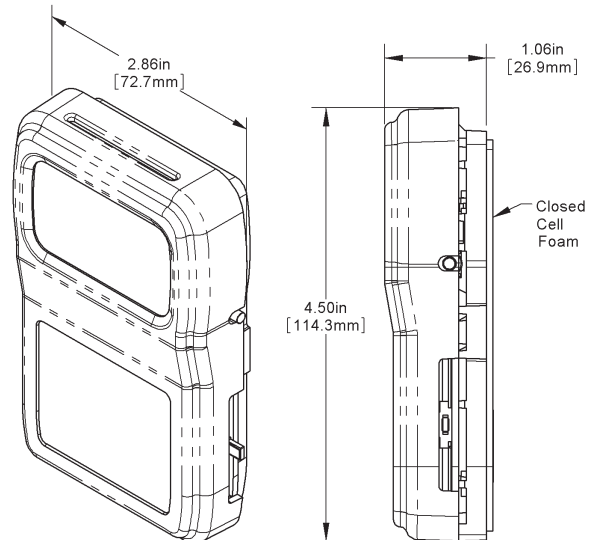
Wiring:

1 to 3 pair of 16 to 22AWG

Material & Rating:

BAPI-Stat 4: ABS Plastic, UL94 V-0

Agency: CE EN 61326-1:2013 EMC, RoHS





T1K Transmitter Room Unit

B25

Temperature Sensors

Submittal sheets without List Prices are available on our website at www.bapihvac.com

Use the Option Selection Guide below to create your custom part number. Replace the number and parenthesis with the designator for each selection. Skip the designator and dashes for optional selections that are not required in your configuration.

T1K Room Transmitter Option Selection Guide

BA/ T1K (#1) - (#2) - (#3) (#4) (#5) - (#6) - (#7) - (#8)

#1: Temp Measurement Range (required)

- [0 to 100F] ..0 to 100°F Temperature Range
- [50 to 90F] ..50 to 90°F Temperature Range
- [40 to 90F] ..40 to 90°F Temperature Range
- [45 to 96F] ..45 to 96°F Temperature Range
- [0 to 130F] ..0 to 130°F Temperature Range
- [0 to 150F] ..0 to 150°F Temperature Range
- [4 to 35C]4 to 35°C Temperature Range
- [0 to 35C]0 to 35°C Temperature Range
- [0 to 50C]0 to 50°C Temperature Range
- [0 to 100C]..0 to 100°C Temperature Range

#2: Display (required)

- B4SDBAPI-Stat 4 with Display \$185
- B4SXBAPI-Stat 4, No Display \$150

#3: Setpoint Display Range (required)

(Setpoint is not available for Delta Style Units)

- A-3 to +3
- B-5 to +5
- C50 to 90 °F or 10 to 32 °C
- D55 to 85 °F or 13 to 30 °C
- E60 to 80 °F or 15 to 27 °C
- F65 to 80 °F or 18 to 27 °C
- XNo Setpoint Display

#4: Setpoint Output Range

(Required if a Display Range is selected in #3)

- 16..... 4 to 20 mA (requires "DF" in #8). \$60
- 60..... 0 to 10 KΩ \$6
- 80..... 0 to 20 KΩ \$6
- 81..... 4.75 K to 24.75 KΩ..... \$6
- 82..... 6.19 K to 26.19 KΩ..... \$6
- 84..... 10 K to 30 KΩ..... \$6

#5: Setpoint Legend

(Required if a Display Range is selected in #3)

- L6..... Cool/Warm Legend
- L0..... No Legend

#6: Occupant Override (required)

- J..... Override as a Separate Output \$5
- N..... Override in Parallel with Sensor.... \$5
- P..... Override in Parallel with Setpoint.. \$5
- Z..... No Override

#7: Communication Jack (optional)

- C35L..... 3.5mm Phono Style Jack \$10

#8: Common or Differential Gnd (required)

- CG Common Ground
- DF..... Differential Inputs

Additional options are available for these units but not shown in this Selection Guide. Contact your BAPI representative for the complete list of options. Submittal sheets without List Prices can be downloaded from our website at www.bapihvac.com

Example #: BA/ T1K([50 to 90F]) - (B4SD) - (F) (80) (L6) - (N) - (C35L) - ()

Actual # (with parenthesis removed): BA/T1K[50 to 90F]-B4SD-F80L6-N-C35L-CG

Description:

BAPI-Stat 4 Temperature Transmitter, 50 to 90°F Temperature Measurement Range, Display, 65 to 80°F Setpoint Display Range, 0 to 20KΩ Setpoint Output Range, Cool/Warm Legend, Override in Parallel with Sensor, 3.5mm Comm. Jack, Common Ground Configuration

List Price:

\$185 (BAPI-Stat 4 with Display) + \$6 (Setpoint) + \$5 (Override) + \$10 (Comm. Jack) = \$206 List Price

Your Number: BA/

