



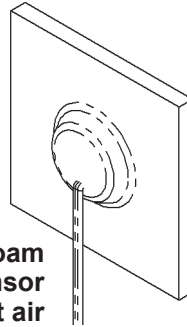
Features & Options

- Copper Encapsulation Shell and Thermal Adhesive for Increased Temperature Transfer
- Easy to Install on Flat Surfaces
- Optional BAPI-Box 2 or Crossover
- FEP-Jacketed Cable

The Surface Sensor features a 0.75" diameter copper encapsulation shell with a thermally adhesive tape to mount on flat surfaces.

Surface Sensors are commonly used on glass windows and doors, solar panel modules, and other hard-to-access areas where a Remote Probe may be difficult to mount.

Surface Sensors are available with a BAPI-Box Crossover or BAPI-Box 2 enclosure. Unit includes a square closed-cell foam cover to isolate the sensor from the ambient air.

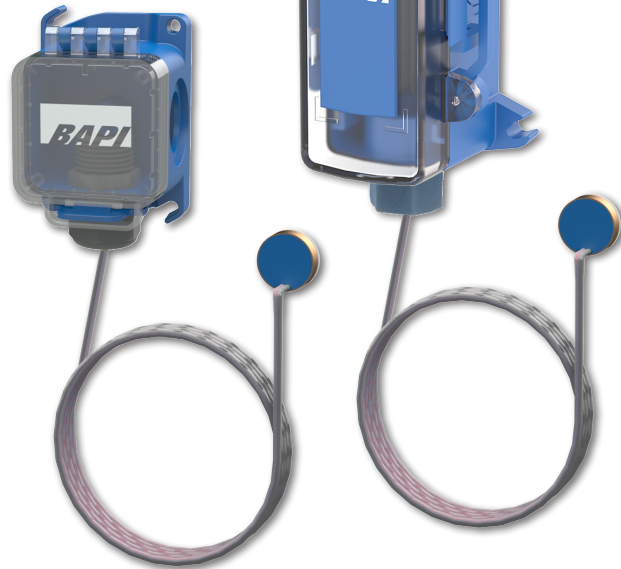


Includes square foam cover to insulate sensor from ambient air

Surface Sensor with FEP Cable
(with white adhesive strip on sensing surface)



Surface Sensor with FEP Cable and BAPI-Box 2 Enclosure (right) and BAPI-Box Crossover Enclosure (below)



Specifications

Environmental Operation Range:

Temperature Sensor:
-40 to 221°F (-40 to 105°C)

Humidity: 0 to 100%, non-condensing

Sensing Element: Thermistor or RTD
(See Sensors Sect. for Specifications)

Surface Sensor Material: Copper 110

Cable: FEP-Jacketed Cable

Enclosure Material:

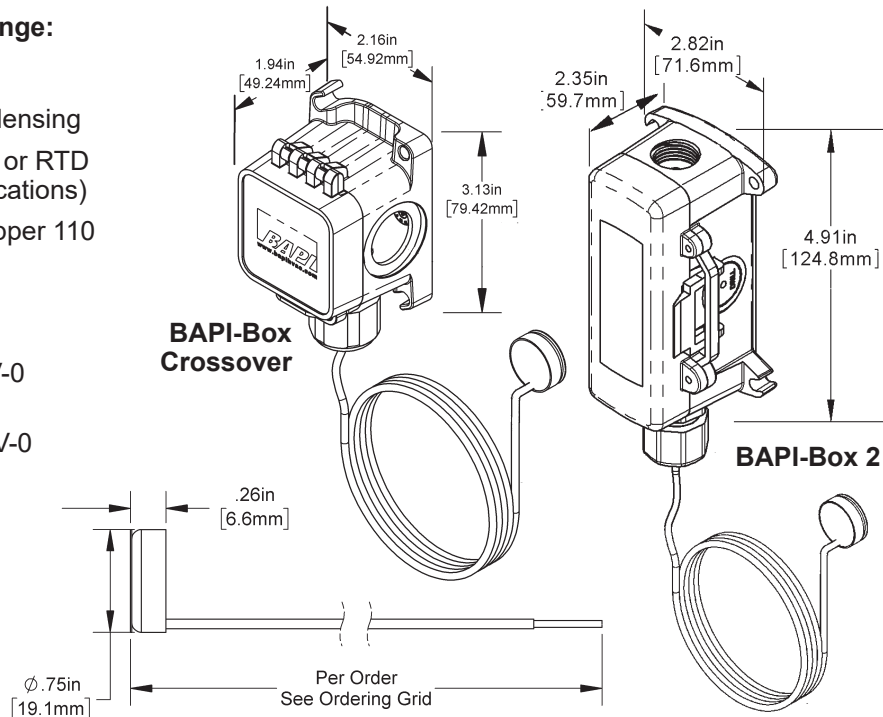
BAPI-Box 2:
UV-resistant polycarb., UL94 V-0

BAPI-Box Crossover:
Cover: Polycarbonate, UL94 V-0
Base: Nylon, UL94 HB

Enclosure Rating:

BAPI-Box 2:
IP66, NEMA 4X

BAPI-Box Crossover:
IP10, NEMA 1
(IP44 w/ plug in open port)





Use the Option Selection Guides below to create your custom part number. Replace the number and parenthesis with the designator for each selection. Skip the designator and dashes for optional selections that are not required in your configuration. Additional options are available but not shown above. Contact BAPI for the complete list of options.



Option Selection Guide
Surface Temperature Sensors

BA/ (#1) - (#2) - (#3) - (#4) - (#5)

#1: Temp Sensor (Required)
 1.8K 1.8K Thermistor
 3K 3K Thermistor
 10K-2 10K-2 Thermistor
 10K-3 10K-3 Thermistor
 10K-3[11K]... 10K-3[11K] Thermistor
 20K 20K Thermistor

#2: Cable Length (Required)
 SMFEP-18" 18" Length
 SMFEP-5' 5' Length
 SMFEP-10' 10' Length
 SMFEP-15' 15' Length
 SMFEP-20' 20' Length

#3: Enclosure (Optional)
 BBX BAPI-Box Crossover (IP10, NEMA 1)
 BB2 BAPI-Box 2 (IP66, NEMA 4)

#4: Test & Balance or Terminal Strip (Optional)
 (requires a BBX, BB or BB2 enclosure above)
 TB Test & Balance Switch
 TS Terminal Strip Connection

Option Selection Guide
Surface Temperature Transmitters

BA/ (#1) (#2) - (#3) - (#4) - (#5)

#1: Output (Required)
 T1K 4 to 20mA Output
 TXS05 0 to 5V Output*
 TXS10 0 to 10V Output*
 TXS12 2 to 10V Output*
 TXS15 1 to 5V Output*

#2: Temperature Range (Required)
 [32 TO 212F] ... 32 to 212°F Range
 [20 TO 120F] ... 20 to 120°F Range
 [0 TO 100F] 0 to 100°F Range
 [0 TO 100C] 0 to 100°C Range
 [-7 TO 49C] -7 to 49°C Range
 [-18 TO 38C] -18 to 38°C Range

#3: Cable Length (Required)
 SMFEP-18" 18" Length
 SMFEP-5' 5' Length
 SMFEP-10' 10' Length
 SMFEP-15' 15' Length
 SMFEP-20' 20' Length

#4: Enclosure (Required)
 BBX BAPI-Box Crossover (IP10, NEMA 1)
 BB2 BAPI-Box 2 (IP66, NEMA 4)

#5: Terminal Strip (Optional)
 TS Terminal Strip Connection

*Voltage outputs are field selectable

Example Number:

BA/(10K-2) - (SMFEP) - (5') - (BBX)
 BA/10K-2-SMFEP-5'-BBX (no parenthesis)

Description: 10K-2 Thermistor, Surface Sensor, 5' Cable, BAPI-Box Crossover

Example Number:

BA/(T1K)([32 TO 212F]) - (SMFEP) - (5') - (BBX)
 BA/T1K[32 TO 212F]-SMFEP-5'-BBX
 (no parenthesis)

Description: 4 to 20mA Transmitter, 32 to 212°F Range, Surface Sensor, 5' Cable, BAPI-Box Crossover Enclosure

Your #: BA/

