



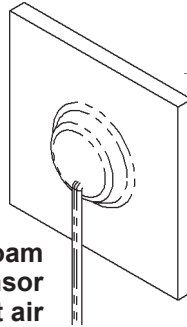
Features & Options

- Copper Encapsulation Shell and Thermal Adhesive for Increased Temperature Transfer
- Easy to Install on Flat Surfaces
- Optional BAPI-Box 2 or Crossover
- FEP-Jacketed Cable

The Surface Sensor features a 0.75" diameter copper encapsulation shell with a thermally adhesive tape to mount on flat surfaces.

Surface Sensors are commonly used on glass windows and doors, solar panel modules, and other hard-to-access areas where a Remote Probe may be difficult to mount.

Surface Sensors are available with a BAPI-Box Crossover or BAPI-Box 2 enclosure. Unit includes a square closed-cell foam cover to isolate the sensor from the ambient air.



Includes square foam cover to insulate sensor from ambient air

Surface Sensor with FEP Cable
(with white adhesive strip on sensing surface)



Surface Sensor with FEP Cable and BAPI-Box 2 Enclosure (right) and BAPI-Box Crossover Enclosure (below)



Specifications

Environmental Operation Range:

Temperature Sensor:
-40 to 221°F (-40 to 105°C)

Humidity: 0 to 100%, non-condensing

Sensing Element: Thermistor or RTD
(See Sensors Sect. for Specifications)

Surface Sensor Material: Copper 110

Cable: FEP-Jacketed Cable

Enclosure Material:

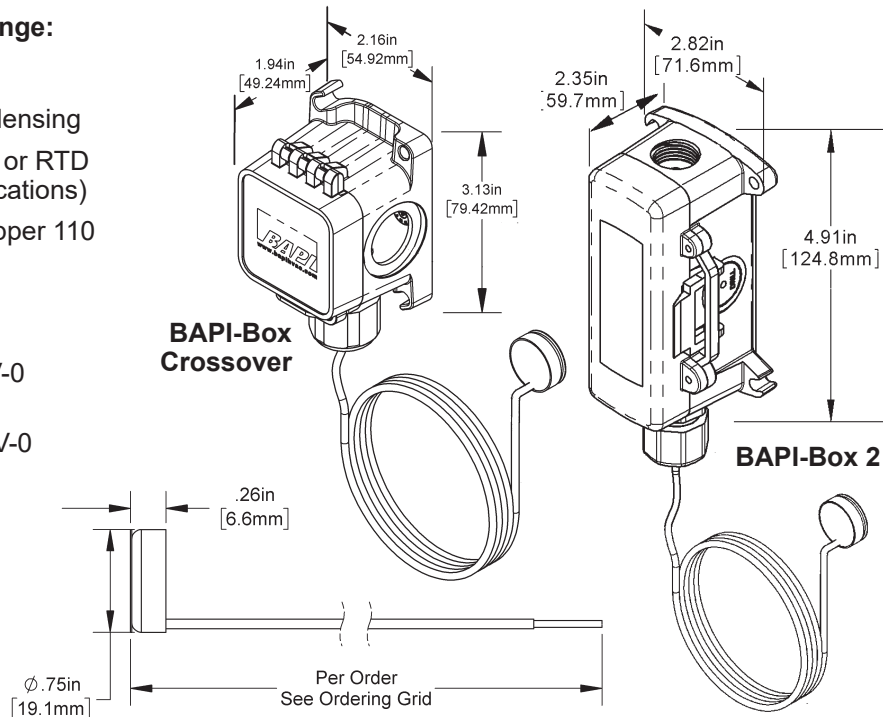
BAPI-Box 2:
UV-resistant polycarb., UL94 V-0

BAPI-Box Crossover:
Cover: Polycarbonate, UL94 V-0
Base: Nylon, UL94 HB

Enclosure Rating:

BAPI-Box 2:
IP66, NEMA 4X

BAPI-Box Crossover:
IP10, NEMA 1
(IP44 w/ plug in open port)





Submittal sheets without List Prices are available on our website at www.bapihvac.com

Use the Option Selection Guides below to create your custom part number. Replace the number and parenthesis with the designator for each selection. Skip the designator and dashes for optional selections that are not required in your configuration. Additional options are available but not shown above. Contact BAPI for the complete list of options.



Option Selection Guide
Surface Temperature Sensors

BA/ (#1) - (#2) - (#3) - (#4) - (#5)

#1: Temp Sensor (Required) List Price

1.8K	1.8K Thermistor.....	\$18
3K	3K Thermistor.....	\$18
10K-2	10K-2 Thermistor.....	\$18
10K-3	10K-3 Thermistor.....	\$18
10K-3[11K]...	10K-3[11K] Thermistor	\$18
20K	20K Thermistor.....	\$18

#2: Cable Length (Required)

SMFEP-18"	18" Length	\$18
SMFEP-5'	5' Length	\$20
SMFEP-10'	10' Length	\$25
SMFEP-15'	15' Length	\$30
SMFEP-20'	20' Length	\$35

#3: Enclosure (Optional)

BBX	BAPI-Box Crossover (IP10, NEMA 1) .	\$0
BB2	BAPI-Box 2 (IP66, NEMA 4).....	\$12

#4: Test & Balance or Terminal Strip (Optional)
(requires a BBX, BB or BB2 enclosure above)

TB	Test & Balance Switch.....	\$7.50
TS	Terminal Strip Connection	\$7

Option Selection Guide
Surface Temperature Transmitters

BA/ (#1) (#2) - (#3) - (#4) - (#5)

#1: Output (Required) List Price

T1K	4 to 20mA Output.....	\$125
TXS05	0 to 5V Output*	\$125
TXS10	0 to 10V Output*	\$125
TXS12	2 to 10V Output*	\$125
TXS15	1 to 5V Output*	\$125

#2: Temperature Range (Required)

[32 TO 212F] ...	32 to 212°F Range
[20 TO 120F] ...	20 to 120°F Range
[0 TO 100F]	0 to 100°F Range
[0 TO 100C]	0 to 100°C Range
[-7 TO 49C]	-7 to 49°C Range
[-18 TO 38C]	-18 to 38°C Range

#3: Cable Length (Required)

SMFEP-18"	18" Length	\$18
SMFEP-5'	5' Length	\$20
SMFEP-10'	10' Length	\$25
SMFEP-15'	15' Length	\$30
SMFEP-20'	20' Length	\$35

#4: Enclosure (Required)

BBX	BAPI-Box Crossover (IP10, NEMA 1)....	\$0
BB2	BAPI-Box 2 (IP66, NEMA 4).....	\$12

#5: Terminal Strip (Optional)

TS	Terminal Strip Connection	\$0
----------	---------------------------------	-----

*Voltage outputs are field selectable

Example Number:

BA/(10K-2) - (SMFEP) - (5') - (BBX)
BA/10K-2-SMFEP-5'-BBX (no parenthesis)

Description: 10K-2 Thermistor, Surface Sensor, 5' Cable, BAPI-Box Crossover

List Price: \$18 + \$20 = \$38 List Price

Example Number:

BA/(T1K)([32 TO 212F]) - (SMFEP) - (5') - (BBX)
BA/T1K[32 TO 212F]-SMFEP-5'-BBX
(no parenthesis)

Description: 4 to 20mA Transmitter, 32 to 212°F Range, Surface Sensor, 5' Cable, BAPI-Box Crossover Enclosure

List Price: \$125 + \$20 = \$145 List Price

Your #: BA/

