

Rev. 01/16/15

Features & Options

Spring-Loaded Strap Units are designed to monitor water temperature in retrofit or filled pipe applications. They fit around the outside of a pipe, greatly reducing installation cost. They measure the water temperature by sensing the surface temperature of the pipe.

Instead of removing the insulation, the spring loaded sensing pad is held against the pipe through a hole in the insulation. Fits pipes up to 36.8cm with up to 50mm of insulation.

They have etched Teflon leadwires and double encapsulated sensors and come with a steel J-Box, or a plastic BAPI-Box 4 Enclosure or a plastic BAPI-Box 2 Enclosure.



Ordering Information/Part Numbers

Spring-Loaded Strap Units - Fit 5" to 14.5" (12.7 to 36.8 cm) pipes

- ALC/10K-2-STP** Spring-Loaded Strap with 10K-2 Thermistor and J-Box Enclosure
- ALC/10K-2-STP-BB2**.... Spring-Loaded Strap with 10K-2 Thermistor and BAPI-Box 2 Enclosure
- ALC/10K-2-STP-BB4**.... Spring-Loaded Strap Twith 10K-2 Thermistor and BAPI-Box 4 Enclosure

Specifications

Enclosure Material and Enclosure Rating:

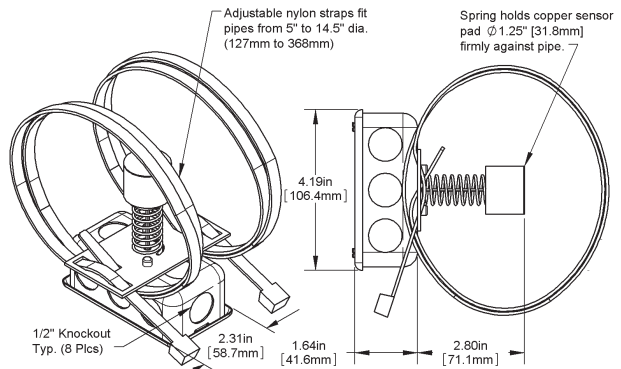
- J-Box: Galvanized Steel, IP20, NEMA 1
- BAPI-Box 2: Polycarbonate, IP66, NEMA 4
- BAPI-Box 4: Nylon & Plastic, IP10
(IP44 rating with Knockout Plug)

Environmental Operation Range:

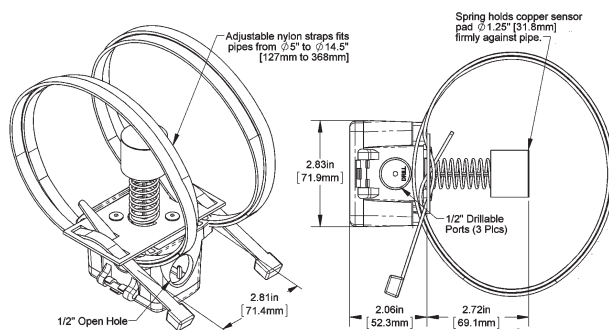
- Temperature Sensor: -40 to 85°C (-40 to 185°F)
- Humidity: 0 to 95%, non-condensing

10K-2 Thermistor Sensor Specifications

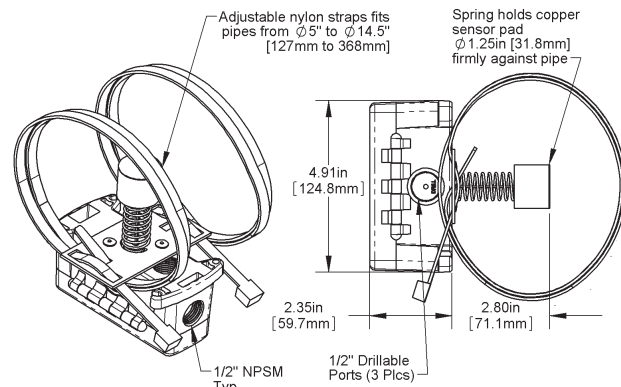
- Resistance:** 10 kΩ @ 25°C, -55°C to 150°C range
- Standard Accuracy:** 0.2°C (±0.36°F) at 0 to 70°C
- Dissipation Constant:** 2.7 mW/°C
- Stability(drift):** Less than ±0.1°C (0.18°F) drift over 10 years.



Spring-Loaded Strap J-Box



Spring-Loaded Strap BAPI-Box 4



Spring-Loaded Strap BAPI-Box 2