

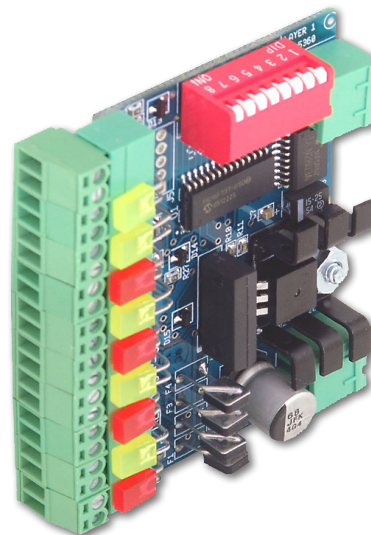


Overview

The high cost of energy today makes proportional control of HVAC systems a necessity, not a luxury. With proportional control you use only the energy needed to get the job done.

Proportional control is easy for water valves and air dampers, but more complex and cost prohibitive for electric heat units, fans and refrigeration systems. The SQ4 module simplifies the job by sequencing multiple on-off devices based on a single analog output from the controller. Now items such as cooling towers with multiple two-speed fans, staged electric heaters and multi-compressor chillers can be controlled to provide the utmost efficiency and consistency for the load at hand – all at a reasonable price.

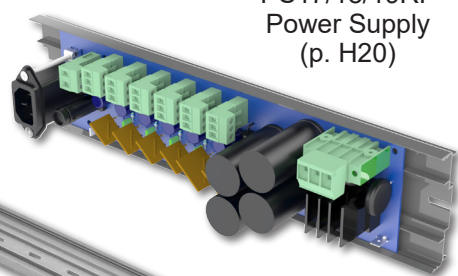
Each SQ4 module provides four outputs that trigger at four fixed voltages across the 0 to 5 or 0 to 10 control voltage range. Two SQ4 modules can be cascaded to provide eight independent output stages. When energized, each output provides 24 VDC at 120 mA. In addition, sequencer modules are available that provide a rotational sequence as well as status contact monitoring with alarm output.



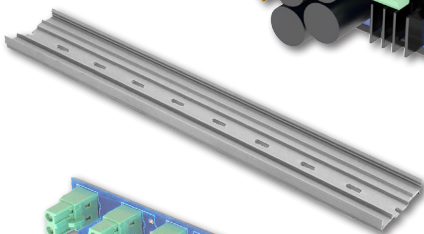
SQ4-RA Four-Step Sequence Module

Part Number	Description
BA/SQ4	4-Step Sequence Module
BA/SQ4-R	4-Step Sequence Module (Rotational)
BA/SQ4-A	4-Step Sequence Module (with Alarm)
BA/SQ4-RA	4-Step Sequence Module (Rotational with Alarm)

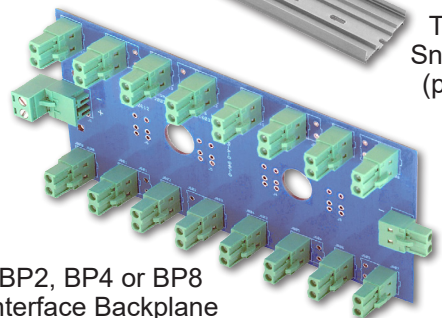
Associated Products



PS17/18/19RF
Power Supply
(p. H20)

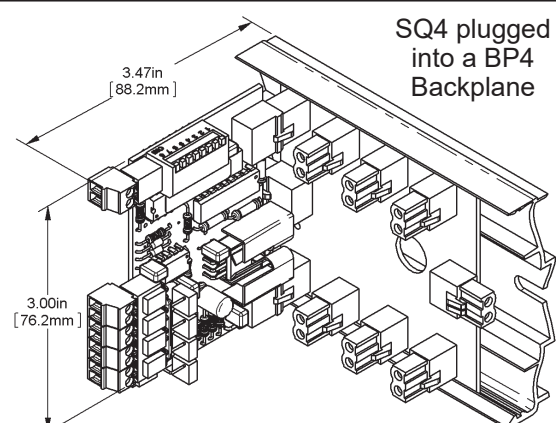


TRK18
Snaptrack
(p. H18)



BP2, BP4 or BP8
Interface Backplane
(p. H16)

Specifications



SQ4 plugged into a BP4 Backplane

Power Voltage: 26 to 36 VDC or 24 VAC

Power Current: 50 mA max. plus output (1.7 VA max plus output)

Input Control Voltage:
0 to 5 or 0 to 10 VDC

Output Power Voltage:
Nominal 24 VDC (23 to 32 VDC)

Output Power Current:
4 outputs of 80 mA max. (10 Watts total)