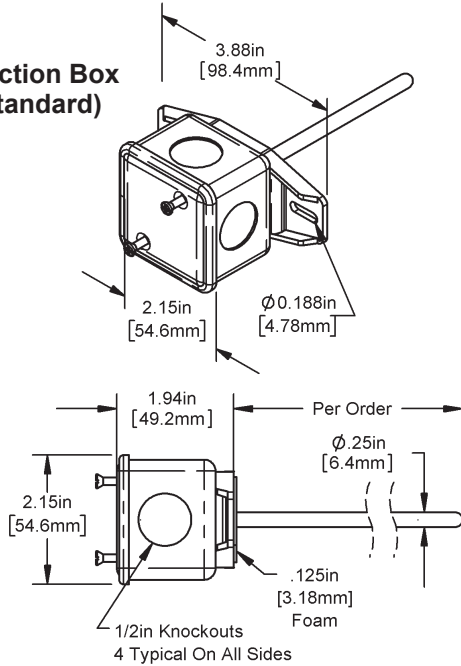
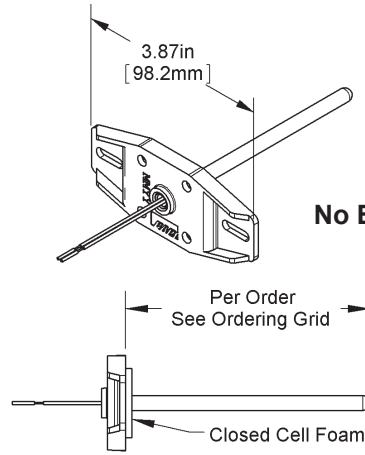




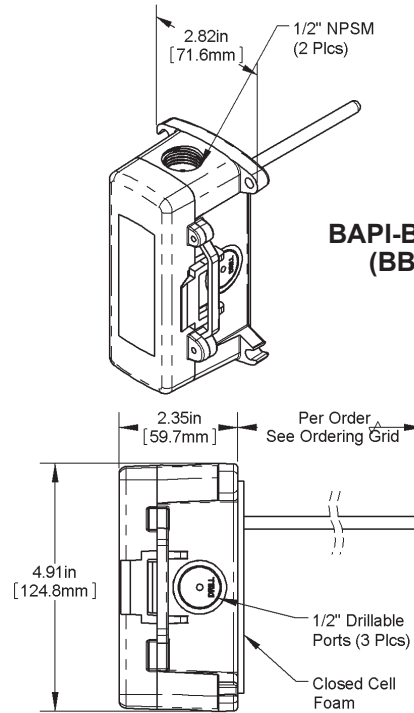
**Junction Box (Standard)**



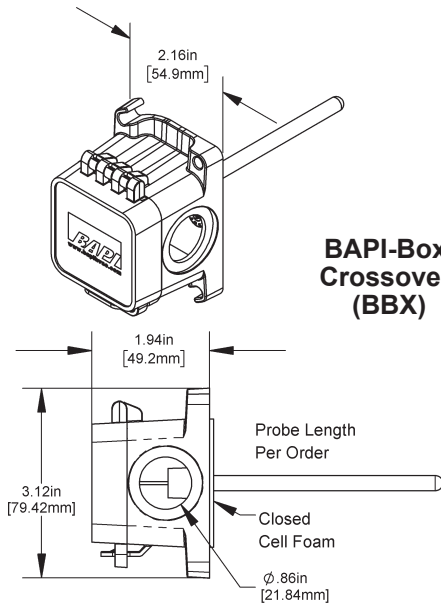
**No Box (NB)**



**BAPI-Box 2 (BB2)**



**BAPI-Box Crossover (BBX)**



**BAPI-Box (BB)**

