



Rev. 02/15/21

### Features & Options

- Detects Most Modern Refrigerants
- Area Monitoring for Leaks and Spills
- Provides a Voltage Output
- Cost Effective

The BAPI Refrigerant Leak Detector is an area monitor that detects a wide range of refrigerants. It is not intended for critical ppm measurements nor life safety applications. The sensor is temperature compensated for improved detection of leaks and spills. The output voltage increases as the concentration of the refrigerant increases in the space.



**Refrigerant Leak Detector in a BAPI-Box Enclosure**

### ORDERING INFORMATION

**BA/RLD** ..... Refrigerant Leak Detector in a Blue BAPI-Box Enclosure

**BA/RLD-W** ..... Refrigerant Leak Detector in a White BAPI-Box Enclosure

**BA/RLD-EL** ..... Replacement Element

Gray shaded items follow the Buy and Resale Multiplier.



### Specifications

**Power:**

9 to 40 VDC at 120 mA max  
19 to 32 VAC at 5 VA

**Output Impedance:** 680 Ohms

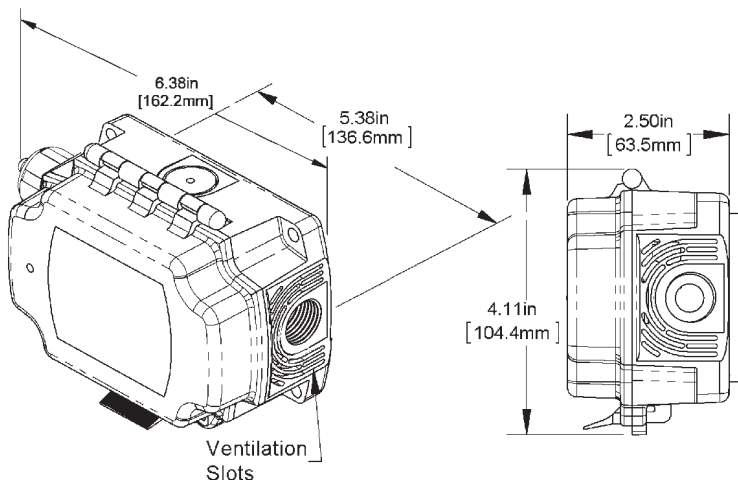
**Output Voltage:** 0 to 4.8 VDC

**Ambient Temp:** 32 to 140°F (0 to 60°C)

**Sensor Element Life:** 2 Years Typical

**Warranty:** 2 Years

| Refrigerants Detected by the Sensor |              |              |
|-------------------------------------|--------------|--------------|
| Single Compound                     | Blends       |              |
| R-22 (A1)                           | R-404a (A1)  | R-452a (A1)  |
| R-32 (A2L)                          | R-407c (A1)  | R-452b (A2L) |
| R-125 (A1)                          | R-407f (A1)  | R-454a (A2L) |
| R-134a (A1)                         | R-410a (A1)  | R-454b (A2L) |
| R-1234yf (A2L)                      | R-424a (A1)  | R-454c (A2L) |
| R-1234ze (A2L)                      | R-434a (A1)  | R-455a (A2L) |
|                                     | R-447a (A2L) | R-466a (A1)  |
|                                     | R-448a (A1)  | R-507 (A1)   |
|                                     | R-449a (A1)  | R-513a (A1)  |
|                                     | R-450a (A1)  |              |



Note: For a more complete list of detectable refrigerants, go to Resources on BAPI's website and view the Application Note "Refrigerants detected by the BAPI Refrigerant Leak Detector".

