



Features & Options

- Detects Most Modern Refrigerants
- Area Monitoring for Leaks and Spills
- Provides a Voltage Output
- Rough Service or Duct Models

The BAPI Duct and Rough Service Refrigerant Leak Detectors sense a wide range of refrigerants. The sensor is temperature compensated for improved detection of leaks and spills. The output voltage increases as the concentration of the refrigerant increases in the space.

These units are not intended for critical ppm measurements nor life safety applications.



ORDERING INFORMATION

List Price

BA/RLD	Rough Service Refrigerant Leak Detector in a Blue BAPI-Box Encl.	\$465
BA/RLD-W	Rough Service Refrigerant Leak Detector in a White BAPI-Box Encl.	\$465
BA/RLD-D-BB	Duct Refrigerant Leak Detector in a Blue BAPI-Box Enclosure	\$395
BA/RLD-W-D-BB ...	Duct Refrigerant Leak Detector in a White BAPI-Box Enclosure	\$395
BA/RLD-EL	Replacement Element	\$60

Gray shaded items follow the Buy and Resale Multiplier.

Specifications

Power:

9 to 40 VDC at 120 mA max
19 to 32 VAC at 5 VA

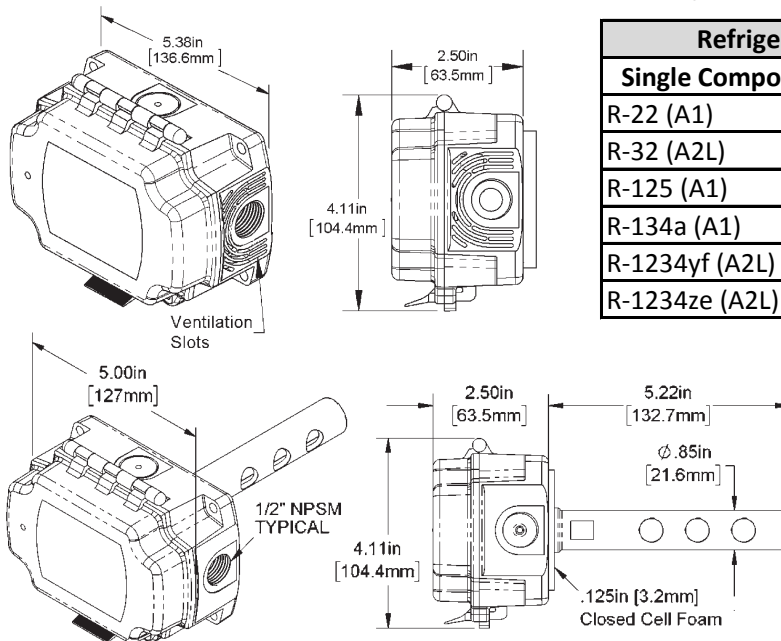
Output Impedance: 680 Ohms

Output Voltage: 0 to 4.8 VDC

Ambient Temp: 32 to 140°F (0 to 60°C)

Sensor Element Life: 2 Years Typical

Warranty: 2 Years



Refrigerants Detected by the Sensor		
Single Compound	Blends	
R-22 (A1)	R-404a (A1)	R-452a (A1)
R-32 (A2L)	R-407c (A1)	R-452b (A2L)
R-125 (A1)	R-407f (A1)	R-454a (A2L)
R-134a (A1)	R-410a (A1)	R-454b (A2L)
R-1234yf (A2L)	R-424a (A1)	R-454c (A2L)
R-1234ze (A2L)	R-434a (A1)	R-455a (A2L)
	R-447a (A2L)	R-466a (A1)
	R-448a (A1)	R-507 (A1)
	R-449a (A1)	R-513a (A1)
	R-450a (A1)	

Note: For a more complete list of detectable refrigerants, go to Resources on BAPI's website and view the Application Note "Refrigerants detected by the BAPI Refrigerant Leak Detector".

