



Features & Options

- Quick-Response Sensor
- IP66/NEMA 4 BAPI-Box 2 Enclosure Style
- Well-Vented Sensor Guard

Outside Air Units are designed to be mounted outdoors. The UV-resistant plastic shield keeps the sensor out of the sunlight and allows for excellent air circulation. The units are available in a BAPI-Box 2 polycarbonate enclosure which carries an IP66/NEMA 4 rating.

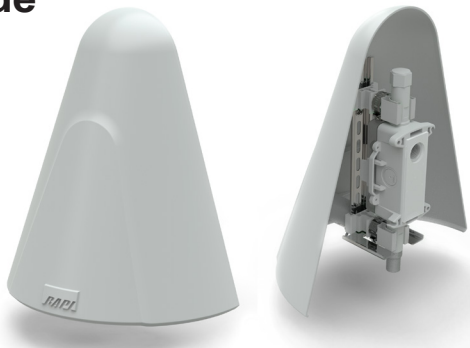
All Outside Air Units have etched Teflon leadwires and can withstand high humidity and condensation and perform under real world conditions. This is especially important in an outside air application which can be exposed to rain, snow and large temperature swings.



Outside Air Temperature Sensor in a BAPI-Box 2 Enclosure

Weather Shade

External temperature, humidity and air quality sensors can be affected by solar heat gain. The BAPI Weather Shade effectively blocks the solar heat gain, improving the accuracy of the sensor.



(See Accessories for more info.)

Specifications

Environmental Operation Range:

Temperature Sensor: -40 to 85 °C
 Temperature Transmitter: -20 to 70 °C
 Humidity: 0 to 100%, non-condensing

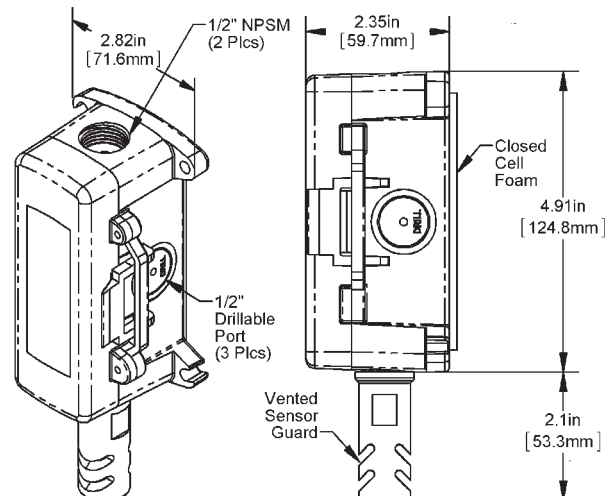
Sensing Element:

Thermistor or RTD
 (See Sensors Section for Specs.)

Enclosure Rating: IP66, NEMA 4

Enclosure Material:

UV-resistant polycarbonate, UL94 V-0





Submittal sheets without List Prices are available on our website at www.bapihvac.com

Use the Option Selection Guides below to create your custom part number. Replace the number and parenthesis with the designator for each selection. Skip the designator and dashes for optional selections that are not required in your configuration. Additional options are available but not shown above. Contact BAPI for the complete list of options.



Option Selection Guide
Outside Air Temperature Sensors

BA/ (#1) - (#2) - (#3) - (#4)

#1: Temp Sensor (Required) List Price

1.8K	1.8K Thermistor	\$18
3K	3K Thermistor	\$18
10K-2	10K-2 Thermistor	\$18
10K-3	10K-3 Thermistor	\$18
10K-3[11K]...	10K-3[11K] Thermistor	\$18
20K	20K Thermistor	\$18
1K[375]	1K Plat. RTD (375 curve)	\$25
1K	1K Plat. RTD (385 curve)	\$25
1K[Ni]	1K Nickel RTD	\$65

#2: Configuration (Required)

O

#3: Enclosure (Required)

BB2

#4: Test & Balance or Terminal Strip (Optional)

TB

TS

Option Selection Guide
Outside Air Temperature Transmitters

BA/ (#1) (#2) - (#3) - (#4) - (#5)

#1: Output (Required) List Price

T1K	4 to 20mA Output	\$125
TXS05	0 to 5V Output*	\$125
TXS10	0 to 10V Output*	\$125
TXS12	2 to 10V Output*	\$125
TXS15	1 to 5V Output*	\$125

#2: Temperature Range (Required)

[32 TO 212F] ...

[20 TO 120F] ...

[0 TO 100F]

[0 TO 100C]

[-7 TO 49C]

[-18 TO 38C]

#3: Configuration (Required)

O

#4: Enclosure (Required)

BB2

#5: Terminal Strip (Optional)

TS

*Voltage outputs are field selectable

Example Number:

BA/(10K-2) - (O) - (BB2) - ()
BA/10K-2-O-BB2 (no parenthesis)

Description: 10K-2 Thermistor, Outside Air Unit, BAPI-Box 2 Enclosure

List Price: \$18 + \$12 = \$30 List Price

Example Number:

BA/(T1K)([32 TO 212F]) - (O) - (BB2) - ()
BA/T1K[32 TO 212F]-O-BB2 (no parenthesis)

Description: 4 to 20mA Transmitter, 32 to 212°F Range, Outside Air Unit, BAPI-Box 2 Enclosure

List Price: \$125 + \$12 = \$137 List Price

Your Number: BA/

