



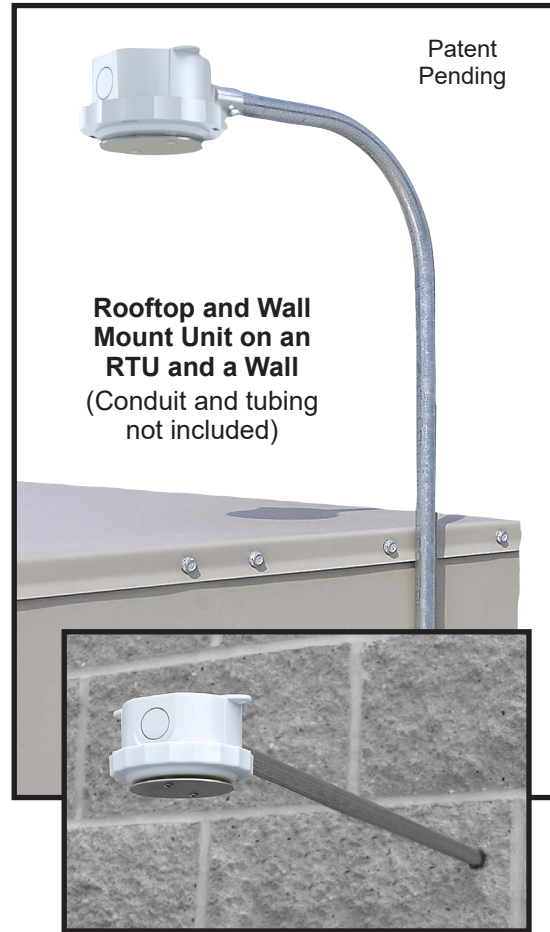
## Features & Options

- Rooftop and Wall Mount or Vertical Mount for Building Soffits or Ceilings.
- Rugged, UV-Resistant and Flame-Retardant Plastic to Perform and Last Under Harsh Conditions
- Parallel Plate Design Reduces Fluctuations from Wind Gusts for More Stable Readings



### REDUCING THE UNWANTED EFFECTS OF WIND GUSTS

Differences in building pressure are caused by the operation of supply fans or exhaust fans and usually measure less than 0.1 inches of water column (WC). A gentle breeze of 10 MPH provides a pressure of 0.048 inches WC, while a strong wind of 40 MPH provides 0.772 inches WC. A gale of 75 MPH can measure over 2.7 inches WC. The parallel plate design of BAPI's Outside Air Pickup Port significantly reduces these unwanted wind pressures for a stable and accurate reading at the pressure sensor and controller.



## Specifications

### Environmental Operation Range:

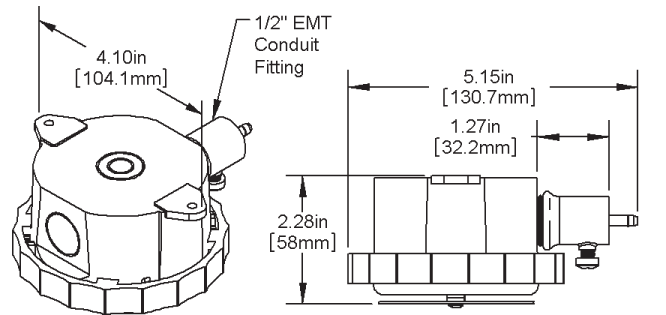
Temperature:  
-40 to 212 °F  
(-40 to 100 °C)

Humidity:  
0% to 100% RH,  
condensing

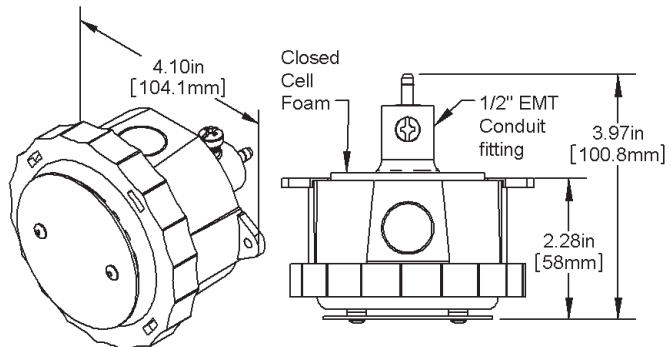
### Material:

UV-resistant plastic

Rooftop and Wall Mount



Vertical Mount





### Ordering Information

<u>PART NUMBER</u>	<u>DESCRIPTION</u>
ZPS-ACC10.....	Rooftop and Wall Mount Outside Air Pressure Pickup Port
ZPS-ACC10-V .....	Vertical Mount Outside Air Pressure Pickup Port

## Wall & Ceiling Pressure Pickup Ports

*Wallplates and BAPI-Stat “Quantum” Style units available as pressure pickups alone or as combination pressure pickup and temperature sensor*

Room pressure pickup ports are available as a Wall Plate or a BAPI-Stat “Quantum” enclosure, both sized to fit a common 2” x 4” electrical box. A foam gasket seals the plate or enclosure to the wall. These units are available as a pickup alone or with a temperature sensor.

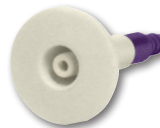
BAPI also offers a Ceiling Mount Square Cover that fits a standard 3/4” thick suspended ceiling tile, and a Low Profile Port that is ideal for locations where aesthetics are as important as the pressure measurement. The only visible portion is a flush 7/8” dot on the wall.



**BAPI-Stat  
“Quantum”  
Enclosure**



**Wall  
Plate**



**Low Profile  
Port**



**Ceiling Mount  
Square Cover**

*For more info, see pages D10-11*

