



Features & Options

- Optional Display, Setpoint and Override
- °C or °F Operation (user selectable)
- Standard 4-Wire Termination

BAPI's Echelon® compatible “L-Temp” Unit features measurement and display of local temperature (°C or °F), as well as display of outdoor temperature and outdoor humidity – all in one package.

An onboard Neuron® chip allows connection directly to a LONWORKS® network using star, bus, or loop topology. Additional options include Temperature Setpoint and Occupant Override.



L-Temp Unit with Setpoint & Override

Specifications

Power: 8 to 24VDC (recommended) or 12 to 28VAC

Power Consumption: 35 mA maximum DC

Sensing Elements:

Temp. - Semiconductor Band Gap, Proportional to Absolute Temperature, ±0.3°C

Wiring: 4 wire, twisted pair 22 AWG minimum

Communication:

Neuron® 3120®, 78 kbps using FTT-10A transceiver

Mounting: 2x4” J-box or drywall - screws provided

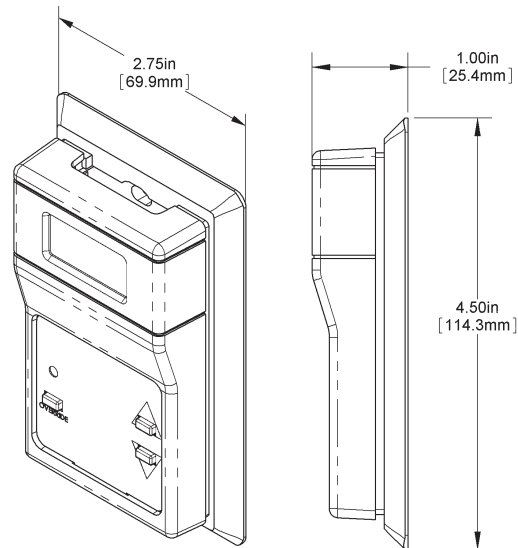
Material & Rating: ABS Plastic, UL94 HB

Temperature Range: -40 to 85°C

Environmental Specifications:

Temperature: 32 to 122 °F (0 to 50 °C)

Humidity: 0 to 95%, non-condensing



*BAPI recommends that you do not run wiring for the Room Units in the same conduit as line voltage wiring or with wiring used to supply highly inductive loads such as motors, generators and coils. For additional wiring info and requirements, refer to Echelon’s Bulletin titled “Junction Box and Wiring Guidelines for Twisted Pair LONWORKS® Networks” which can be found at the following URL: “www.echelon.com/support/documentation/Bulletin/005-0023-01K.pdf”

The “L-Temp” is designed following the LonMark® Interoperability Guidelines, and incorporates standard configuration property types (SCPT). A complete SNVT/SCPT list with definitions is available upon request. Echelon®, LONWORKS®, Neuron®, and 3120® are trademarks of Echelon Corporation registered in the United States and other countries. LonMark® is a trademark of the LonMark Interoperability Association registered in the United States and other countries.





Echelon® Compatible “L-Temp”

B27

Temperature Sensors

Submittal sheets without List Prices are available on our website at www.bapihvac.com

Ordering Information

<u>Part Number</u>	<u>Description</u>	<u>List Price</u>
BA/LC-R-BW	L-Temp Unit, Bright White Color	\$240
BA/LC-RD-BW	L-Temp Unit with Display, Bright White Color	\$275
BA/LC-RSOD-BW ..	L-Temp Unit with Setpoint, Override and Display, Bright White Color	\$286

