



## Features & Options

- Optional LCD with User Selectable °C or °F Display
- 2% RH Accuracy with Full-range Temp Compensation
- Optional Setpoint Adjustment and Occupancy Override



The Echelon compatible “L-Combo” Room Unit features measurement of local temperature and relative humidity. Units with an LCD can also display outdoor temperature and outdoor humidity.

Additional options include Temperature Setpoint, Humidity Setpoint and Local Override. An onboard Neuron® chip allows connection directly to a LONWORKS® network using star, bus, or loop topology. The LCD can toggle between temperature and humidity at a user adjustable rate, and the user can select °C or °F.



**L-Combo Unit with Setpoint & Override**

## Ordering Information

<u>Part Number</u>	<u>Description</u>	<u>List Price</u>
BA/LCH2-R .....	L-Combo Temp/Humidity Unit without Display .....	\$320
BA/LCH2-RD .....	L-Combo Temp/Humidity Unit with Display .....	\$355
BA/LCH2-RSOD ....	L-Combo Temp/Humidity Unit with Setpoint, Override and Display .....	\$366

## Specifications

**Power:** 8 to 24VDC (recommended) or 12 to 28VAC

**Power Consumption:** 35 mA maximum DC

### Sensing Elements:

Temp. - Semiconductor Band Gap, Proportional to Absolute Temperature,  $\pm 0.3^{\circ}\text{C}$

Optional Humidity - Capacitive Polymer,  $\pm 2\%$  RH Accuracy

**Wiring:** 4 wire, twisted pair 22 AWG minimum

### Communication:

Neuron® 3120®, 78 kbps using FTT-10A transceiver

### Mounting:

Standard 2x4” J-box or drywall - screws provided

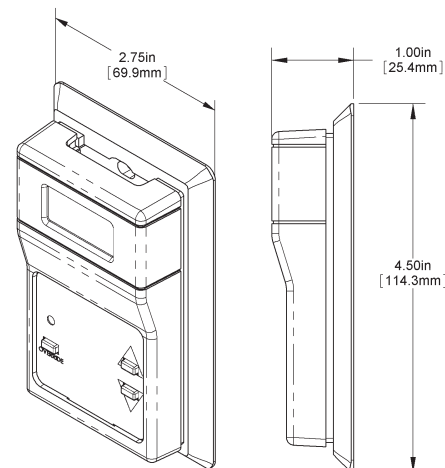
### Environmental Specifications:

Temperature: 32 to 122 °F (0 to 50 °C)

Humidity: 0 to 95%, non-condensing

**Material & Rating:** ABS Plastic, UL94 HB

**Range:** -40 to 85°C



\*BAPI recommends that you do not run wiring for the Room Units in the same conduit as line voltage wiring or with wiring used to supply highly inductive loads such as motors, generators and coils. For additional wiring info and requirements, refer to Echelon’s Bulletin titled “Junction Box and Wiring Guidelines for Twisted Pair LONWORKS® Networks” which can be found at the following URL: [www.echelon.com/support/documentation/Bulletin/005-0023-01K.pdf](http://www.echelon.com/support/documentation/Bulletin/005-0023-01K.pdf)

The “L-Temp” and “L-Combo” were designed following the LonMark® Interoperability Guidelines, and incorporate standard configuration property types (SCPT). A complete SNVT/SCPT list with definitions is available upon request. Echelon®, LONWORKS®, Neuron®, and 3120® are trademarks of Echelon Corporation registered in the United States and other countries. LonMark® is a trademark of the LonMark Interoperability Association registered in the United States and other countries.

