



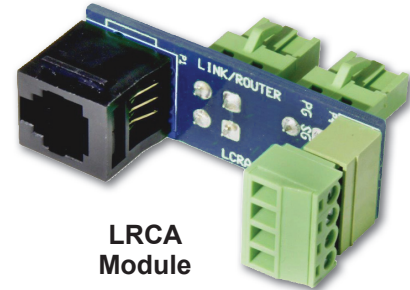
## Overview

### LRCA Module

The Link Router Communications Adapter (LRCA) adds an RJ jack for computer access to a Carrier® i-Vu Link/Router.

### PSOCL Module

The Power Supply Output Current Limiter (PSOCL) is used to buffer the output of the BAPI PS17, PS18 or PS19 Power Supplies when used to power the Carrier® i-Vu Link/Router. BAPI recommends that only one Link/Router be powered from each PSOCL. Do not power any other load through the PSOCL.



LRCA Module



PSOCL Module

## Ordering Information

Part Number	Description
BA/LRCA .....	Link Router Communications Adapter
BA/PSOCL .....	Power Supply Output Current Limiter

## Specifications

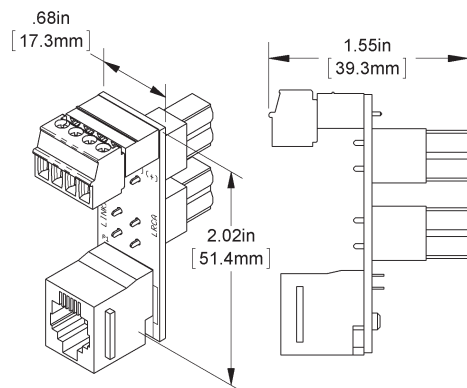
### LRCA Specifications

#### Connectors:

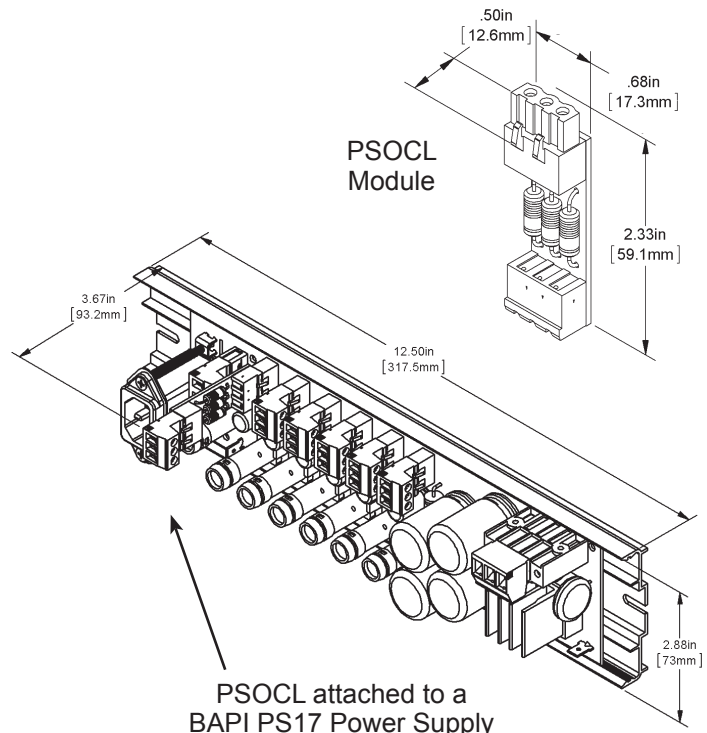
Screw terminals, 16 to 22 AWG

#### Computer:

RJ11 Communications Jack



LRCA Module



PSOCL attached to a BAPI PS17 Power Supply

