



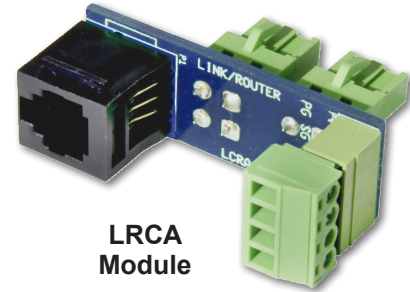
Overview

LRCA Module

The Link Router Communications Adapter (LRCA) replaces the 5-pole CCN plug on a Carrier® i-Vu Link/Router. It also provides an RJ jack for local laptop access and a BAPI standard comm plug for network termination. This will accept a COMSRG surge suppressor.

PSOCL Module

The Power Supply Output Current Limiter (PSOCL) is used to buffer the output of the BAPI PS17/18/19RF Power Supplies when used to power the Carrier® i-Vu Link/Router. BAPI recommends that only one Link/Router be powered from each PSCOL. Do not power any other load through the PSCOL.



LRCA Module



PSOCL Module

Part Number	Description	List Price
BA/LRCA	Link Router Communications Adapter	\$31.75
BA/PSOCL	Power Supply Output Current Limiter	\$32.15

Submittal datasheets without List Prices are available on our website at www.bapivac.com

Specifications

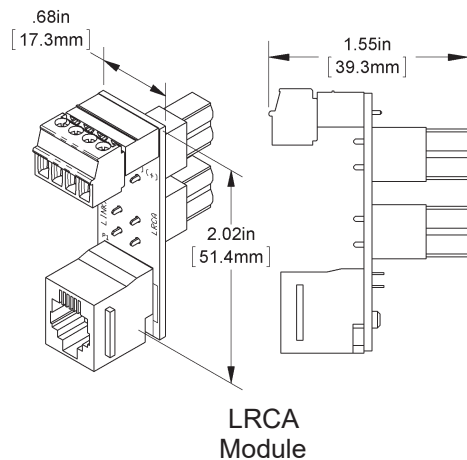
LRCA Specifications

Connectors:

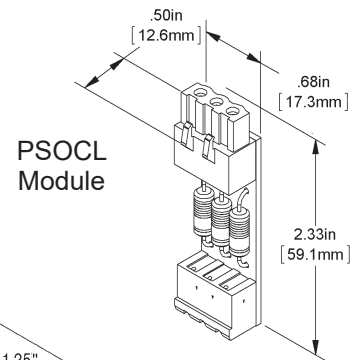
Screw terminals, 16 to 22 AWG

Computer:

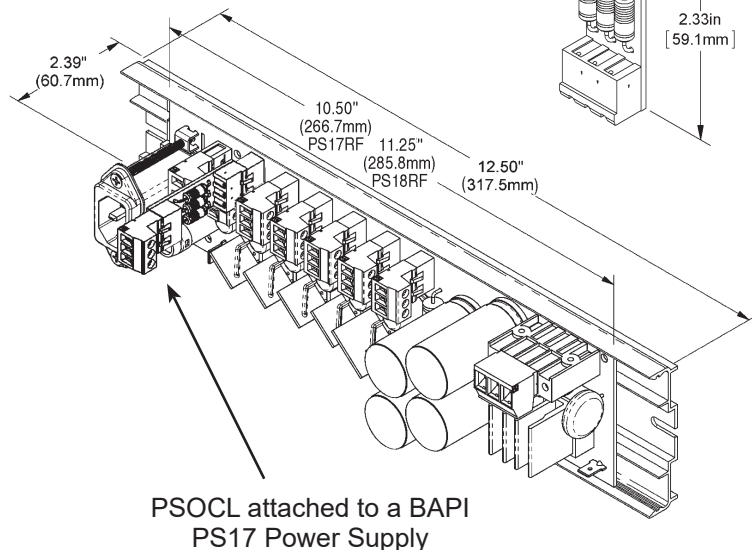
RJ11 Communications Jack



LRCA Module



PSOCL Module



PSOCL attached to a BAPI PS17 Power Supply

