



Features & Options

- Makes mounting of averaging sensors quick and easy
- Eliminates risk of kinking and damaging the probe
- Scored break off for 1/4" rigid probe mounting
- Nylon material limits heat/cold conduction to the probe

The Flexible Probe Bracket (FPB) is used to mount averaging sensors, low limit thermostats, or liquid fill thermostats in duct applications for probe diameters from 1/8", 1/4" and 3/8".

The bracket is used to reverse the direction of the flexible probe with a smooth arc to eliminate the risk of kinking the sensor and damaging the probe.

A fixed 1/4" probe may also be mounted as part of the bracket design using the scored break-off. The FPB is made out of tough UL94 V-2 Nylon which limits heat/cold conduction to the probe and has multiple mounting holes to make mounting quick and easy.

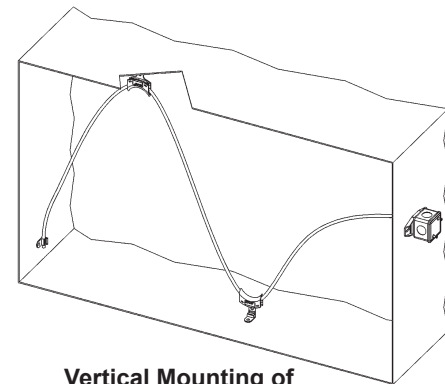


FPB - Flexible Probe Bracket

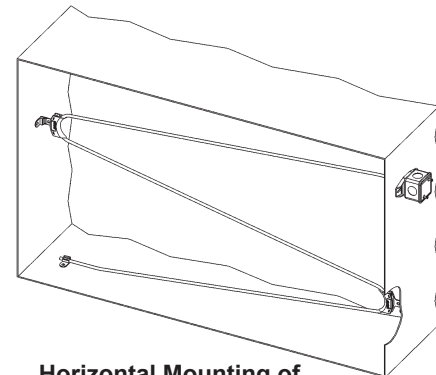
Ordering Information

Part Number	Description
BA/FPB-50	50 Flexible Probe Brackets

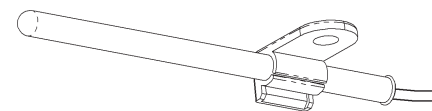
Gray shaded items follow the Buy and Resale Multiplier.



Vertical Mounting of the Averaging Sensor



Horizontal Mounting of the Averaging Sensor



1/4" Rigid Probe Mounting (using scored break off)

Specifications

Material: Nylon

Rating: UL94 V-2 (plenum rated), RoHS Compliant

Mounting: Two 1/4" holes, on the top and side.

Probe Size: 1/8", 1/4", and 3/8" flexible probes
1/4" rigid probe holder, w/break off score

Bracket Arc: 1.125" radius

Operational Temp: -22 to 167°F, (-30 to 75°C)

