



## Features & Options

- Sensor Fits Inside a Decora Style Rocker Switch Plate Cover
- LCD Readout of Local Temperature
- Optional Setpoint Adjustment
- °F or °C Indication (Field Selectable)
- Wide Selection of Temperature Sensing Elements

The low profile Decora Style Room Unit fits inside a Decora Style Rocker Switch Wall Plate Cover. It features measurement and display of local temperature with optional pushbutton setpoint adjustment. The room temperature is shown on an easy-to-read LCD with field-selectable °F or °C display.

The Setpoint values are transmitted as resistive values for easy configuration with the controller. The sensor and setpoint outputs can be configured for “common ground” or “differential” controller inputs.



Decora Style Units with and without Setpoint Adjustment

## Specifications

**Power:** 5 VDC to 12 VDC  $\pm 5\%$

**Power Consumption:** 0.5 mA

**Sensing Element:**

Thermistor or RTD (See Sensors Sect. for Specs.)

**Wiring:** 2 to 3 pair of 16 to 22AWG\*

**Mounting:**

Standard 2"x4" J-box with Decora Style Trim Plate

**Environmental Operation Range:**

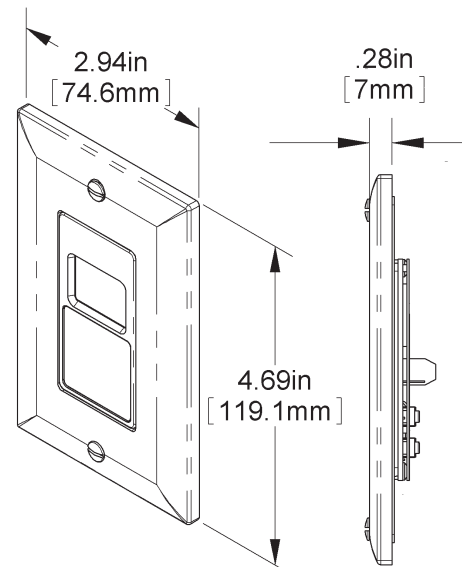
Temperature: 32 to 122 °F (0 to 50 °C)

Humidity: 0 to 95%, non-condensing

**Material:** ABS Plastic

**Material Rating:** UL94 V-0

\*BAPI recommends that you do not run wiring for the Room Units in the same conduit as line voltage wiring or with wiring used to supply highly inductive loads such as motors, generators and coils.



## Associated Products

### VC350A “EZ” - Voltage Converter

BAPI recommends using DC power on room units for a more stable reading. Our 350mA “EZ” unit is a perfect way to convert 24 VAC to 5, 12, 15 or 24 VDC.





Submittal sheets without List Prices are available on our website at [www.bapihvac.com](http://www.bapihvac.com)

Use the Configurator below to create your custom part number. Replace the number and parenthesis with the designator for each selection. Skip the designator and dashes for optional selections that are not required in your configuration.

### Decora Room Sensors Option Selection Guide:

BA/ ( #1 )( #2 ) - ( #3 )( #4 ) - ( #5 ) - ( CG ) - ( #7 )

**#1: Room Sensor Style** (required)

RuPD.... Pushbutton Setpoint Adjustment... \$150

**#2: °F or °C Display** (required)

F ..... Temperature Displayed in °F  
C ..... Temperature Displayed in °C

**#3: Setpoint Display Range** (optional)

A ..... -3 to +3  
B ..... -5 to +5  
C ..... 50 to 90 °F or 10 to 32 °C  
D ..... 55 to 85 °F or 13 to 30 °C  
E ..... 60 to 80 °F or 15 to 27 °C  
F ..... 65 to 80 °F or 18 to 27 °C

**#4: Setpoint Output Range** (optional)

00..... 0 to 5 V  
10..... 0 to 10 V  
60..... 0 to 10 KΩ  
80..... 0 to 20 KΩ  
81..... 4.75 K to 24.75 KΩ  
82..... 6.19 K to 26.19 KΩ  
84..... 10 K to 30 KΩ

**#5: Temperature Sensor** (required)

1375..... 1K Platinum RTD (375 curve)  
1NI ..... 1K Ω Nickel RTD ..... \$39  
1..... 1K Platinum RTD (385 curve)  
18..... 1.8K Thermistor  
3..... 3K Thermistor  
102..... 10K-2 Thermistor  
103..... 10K-3 Thermistor  
10311.... 10K-3[11K] Thermistor  
20..... 20K Thermistor

**#6: Common Ground Config.** (required)

CG ..... Common Ground

**#7: Cover Plate** (required)

NC ..... No Cover ..... -\$10  
-SWC.... Standard White Cover Plate

*Additional options are available for these units but not shown in this Selection Guide. Contact your BAPI representative for the complete list of options. Submittal sheets without List Prices can be downloaded from our website at [www.bapihvac.com](http://www.bapihvac.com)*

**Example Number:** BA/ ( RuPD )( F ) - ( E )( 80 ) - ( 102 ) - ( CG ) - ( SWC )

**Actual Number (with parenthesis removed):** BA/RuPDF-E80-102-CG-SWC

**Description:** Decora Style Unit with Setpoint and °F Display, 60 to 80°F Setpoint Display Range, 0 to 20KΩ Setpoint Output Range, 10K-2 Thermistor Temperature Sensor, Common Ground Configuration, Standard White Cover Plate

**List Price:** \$150 (Decora Style Unit) = \$150 List Price

**Your Number:** BA/

