



Features & Options

- For Use with Normally Closed (NC) Door Switches
- Door Status LEDs
- Two Auxiliary Relays with Status LEDs
- Audible Annunciator
- User Selectable Time Periods

The BAPI Door Monitor Alarm (DMA) monitors a door switch to alert personnel when the door is closed, open or has exceeded its user-selectable open time period. Green, amber and red LEDs on the face of the unit alert nearby personnel the door's status.

Leaving the door open for longer than the user-selected time will also energize an internal audible annunciator to alert nearby personnel that the door should be closed immediately. The unit also has two auxiliary relays that will energize whenever the door is opened to alert other user-supplied warning devices or a building automation system.



Door Monitor Alarm (DMA)



Green Status

Amber Status

Red Status

Specifications

Power: 24 VAC or 24 VDC (UL Listed Class 2 Power Source only)

Power Consumption (max): 7.5 VA @ 24 VAC, 200 mA @ 24 VDC

Door Switch Contacts:

Normally Closed (NC) = door open is alarm condition

Normally Open (NO) = door closed is alarm condition

Auxiliary Relay Contact Rating: 1.0 Amp @ 30 VAC/VDC

Audible Annunciator: 90dB; 2,730 Hz

Wiring: 16 to 22 AWG

Environmental Operation Range:

Temp: 32 to 140 °F (0 to 60 °C)

Humidity: 5 to 95%, non-condensing

Enclosure Material:

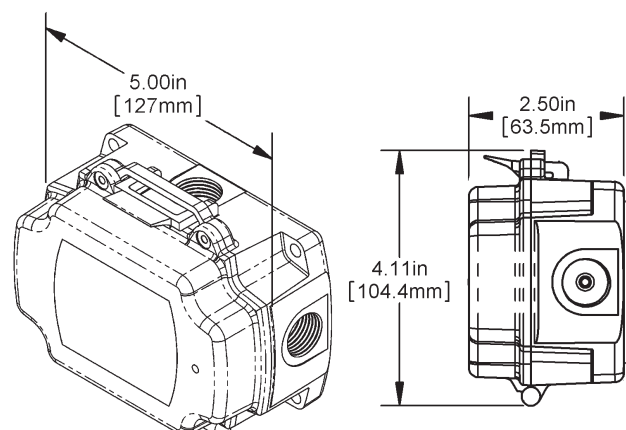
UV-resistant Polycarbonate, UL94 V-0

Enclosure Rating: IP66, NEMA 4

Agency:

CE EN 61326-1:2013 EMC (Industrial Electromagnetic Environment), UL94 V-0, RoHS

Warranty: 5 years





Ordering Information

| <u>Part Number</u> | <u>Description</u> |
|--------------------|--------------------------|
| BA/DMA | Door Monitor Alarm (DMA) |

REED SWITCH FOR THE DMA

| | |
|------------------|---|
| BA/DMA-RSW1..... | Press Fit Magnetic Contact, 3/4" (19mm) diameter |
| BA/DMA-RSW2..... | Mechanical Surface Mount Switch, 2.5" (64mm) length |

Gray shaded items follow the Buy and Resale Multiplier.



DMA-RSW1



DMA-RSW2

