



## Features & Options

- For Use with Normally Closed (NC) Door Switches
- Door Status LEDs
- Two Auxiliary Relays with Status LEDs
- Audible Annunciator
- User Selectable Time Periods

The BAPI Door Monitor Alarm (DMA) monitors a door switch to alert personnel when the door is closed, open or has exceeded its user-selectable open time period. Green, amber and red LEDs on the face of the unit alert nearby personnel the door's status.

Leaving the door open for longer than the user-selected time will also energize an internal audible annunciator to alert nearby personnel that the door should be closed immediately. The unit also has two auxiliary relays that will energize whenever the door is opened to alert other user-supplied warning devices or a building automation system.

A green LED inside the unit illuminates whenever power is present and red LEDs inside the illuminate when the auxiliary relays are energized to assist with installation and troubleshooting.



Door Monitor Alarm (DMA)



Green Status

Amber Status

Red Status

## Specifications

**Power:** 24 VAC or 24 VDC (UL Listed Class 2 Power Source only)

**Power Consumption (max):** 7.5 VA @ 24 VAC, 200 mA @ 24 VDC

### Door Switch Contacts:

Normally Closed (NC) = door open is alarm condition

Normally Open (NO) = door closed is alarm condition

**Auxiliary Relay Contact Rating:** 1.0 Amp @ 30 VAC/VDC

**Audible Annunciator:** 90dB; 2,730 Hz

**Wiring:** 16 to 22 AWG

### Environmental Operation Range:

Temp: 32 to 140 °F (0 to 60 °C)

Humidity: 5 to 95%, non-condensing

### Enclosure Material:

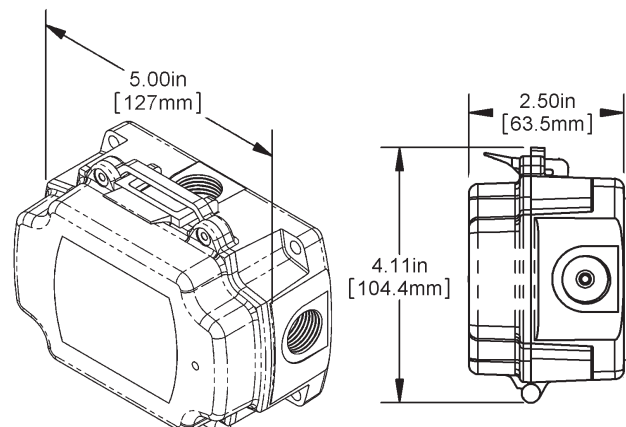
UV-resistant Polycarbonate, UL94 V-0

**Enclosure Rating:** IP66, NEMA 4

### Agency:

CE EN 61326-1:2013 EMC (Industrial Electromagnetic Environment), UL94 V-0, RoHS

**Warranty:** 5 years





# Door Monitor Alarm (DMA)

F15

Accessories for HVAC/R

Submittal datasheets without List Prices are available on the BAPI website.

## Ordering Information

<u>Part Number</u>	<u>Description</u>	<u>List Price</u>
BA/DMA	Door Monitor Alarm (DMA)	\$805

### REED SWITCH FOR THE DMA

BA/DMA-RSW1	Press Fit Magnetic Contact, 3/4" (19mm) diameter	\$10
BA/DMA-RSW2	Mechanical Surface Mount Switch, 2.5" (64mm) length	\$32

Gray shaded items follow the Buy and Resale Multiplier.



DMA-RSW1



DMA-RSW2

