



Features & Options

- Electrochemical Sensor with Self-Test
- Optional %RH Measurement
- Field Selectable 0 to 5 or 0 to 10 VDC Outputs
- Certificate of Calibration Available

BAPI's Carbon Monoxide Rough Service Sensor offers enhanced electrochemical sensing with outstanding accuracy at low concentrations. It features a ventilated BAPI-Box and is ideal for parking structures, equipment rooms and warehouses.

The unit has a CO measurement range of 0 to 500 ppm. It includes optional %RH measurement. The CO and %RH outputs are field selectable for 0 to 5 or 0 to 10 VDC. The unit can be ordered with flying leads or a terminal strip.



CO Rough Service Sensors
(Right unit shown with %RH sensing)



Specifications

Power:

12.5 to 40 VDC, 10 mA Max
or 12.5 to 28 VAC, 1.4 VA Max

CO Measurement Range: 0 to 500 ppm

CO Sensor Accuracy:

<200ppm =
±3% FS, 32 to 122°F (0 to 50°C)

201 to 500 ppm =
±5% FS, 50 to 122°F (10 to 50°C)

Optional %RH Sensor Accuracy:

±2%RH (20 to 80%) @ 25°C,
Fully Compensated

Response Time:

<80 seconds from 10 to 90% of range

Sensor Element Life: 7 Years Typical

Field Selectable Outputs:

0 to 5 or 0 to 10 VDC

Field Wiring:

Flying Leads (22 AWG) or Terminal Strip

Environmental Operation Range

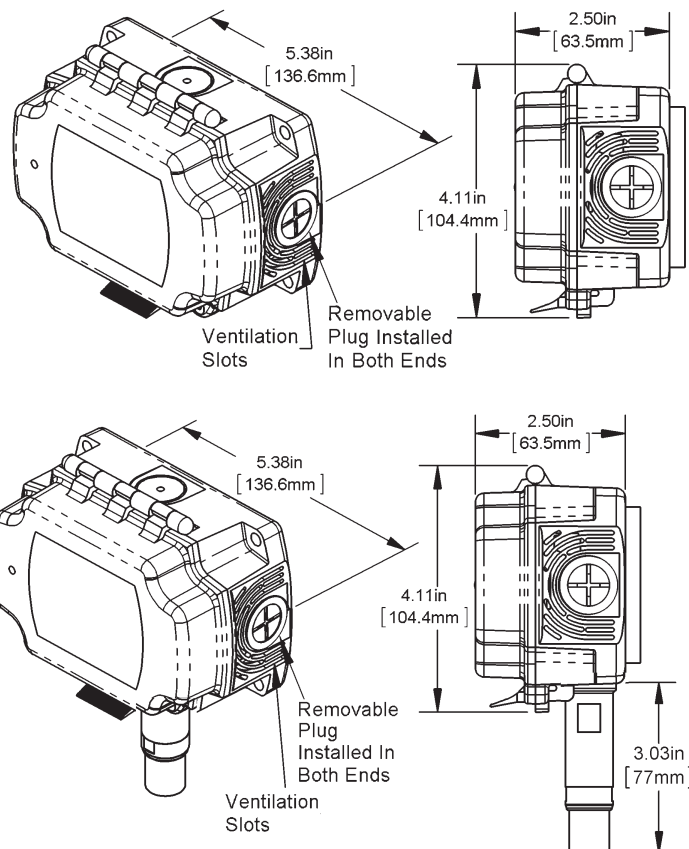
Continuous: 32 to 122°F (0 to 50°C)
5 to 95%RH Noncondensing

Intermittent: -40 to 131°F (-40 to 55°C)
5 to 95%RH Noncondensing

BAPI-Box Material:

UV-resistant Polycarbonate, UL94 V-0

Agency: RoHS





Carbon Monoxide (CO) Rough Service Sensor

Submittal sheets without List Prices are available on our website at www.bapivac.com

Ordering Information

<u>Part #</u>	<u>Description</u>	<u>List Price</u>
BA/BBV-CO	Rough Service CO Sensor, Flying Leads.....	\$235
BA/BBV-CO-TS.....	Rough Service CO Sensor, Terminal Strip	\$235
BA/BBV-COV-H	Rough Service CO Sensor with %RH Measurement, Flying Leads.....	\$336
BA/BBV-COV-H-TS.....	Rough Service CO Sensor with %RH Measurement, Terminal Strip	\$336

