



Features & Options

- 0 to 40 ppm CO Measurement Range
- 30 ppm CO Relay Trip Level with Audible Alarm
- Field Selectable 0 to 5V, 0 to 10V or 4 to 20 mA Output
- BAPI-Stat 4 Enclosure with LED Status Indication

The BAPI Carbon Monoxide Room Sensor features a BAPI-Stat 4 Style Enclosure with Green/Red Status LED. It has a 0 to 40 ppm CO measurement range with a 30 ppm relay/audible alarm trip level. The relay is field selectable for normally closed or normally open, and the CO output level is field selectable for 0 to 5V, 0 to 10V or 4 to 20mA.

The Green/Red LED indicates unit status of Normal, Alarm, Trouble/Service or Test. The side pushbutton places the unit into Test status to verify audible alarm and LED operation. The sensing element has a typical life of 7 years.



CO Sensor in a
BAPI-Stat 4 Style
Enclosure



Specifications

Power Supply: 24 VAC/VDC, 1.0 VA Max

Audible Alarm: 75 dB at 10 feet

Relay Output: Form "C", 0.1A , 30VDC, Jumper selectable for Normally Closed or Normally Open

CO Measurement Range: 0 to 40 ppm

Relay/Alarm Trip Level: 30 ppm CO

Jumper Selectable Analog Output: 0 to 5VDC, 0 to 10VDC or 4 to 20mA

CO Sensor Technology: Electrochemical

LED Behavior:

Normal Status

Green LED illuminated, Red LED flashes every 30 seconds indicating that the alarm is powered

Alarm Status

Green LED extinguished, flashing Red LED and audible alarm

Trouble/Service Status

Green LED illuminated, Red LED flashes twice and horn "beeps" once every 30 seconds

Test Status

Green LED illuminated, one chirp, then Red LED flashes 4 to 5 times followed by 2 alarm signals

Operating/Storage Temp:

40 to 100°F (4.4 to 37.8°C); 15 to 95% RH

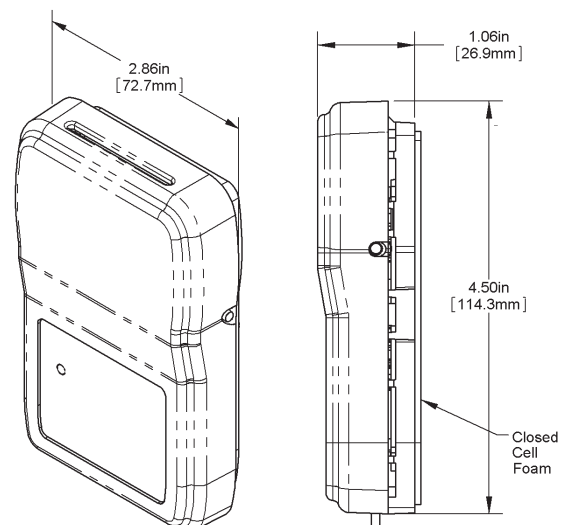
Sensor Life: 7 years typical

Response Time: 15 seconds typical

Sensor Overload Level: 5,000 ppm CO

Agency: RoHS

Warranty: 5 years



BAPI-Stat 4 Style Enclosure





Carbon Monoxide Room Sensor

E19

Air Quality Sensors

Submittal sheets without List Prices are available on our website at www.bapihvac.com

Ordering Information

<u>Part #</u>	<u>Description</u>	<u>List Price</u>
BA/CO-B4.....	Carbon Monoxide (CO) Sensor in a BAPI-Stat 4 Enclosure	\$450

Note: Sensors must be installed and powered within 4 months of purchase to prevent loss of accuracy.

