



Features & Options

- Automatic Barometric Pressure and Temperature Compensation
- Optimized for Continuously Occupied Areas
- 0 to 2,500 ppm Range Models Meet Addendum ab to ASHRAE Standard 62.1-2022

The BAPI-Stat “Quantum” CO₂ Sensor is an accurate and reliable way of incorporating demand controlled ventilation. It measures the CO₂ in ranges of 0 to 2,000, 0 to 2,500, 0 to 5,000, 0 to 10,000 and 0 to 50,000 ppm with a field selectable output of 0 to 5 or 0 to 10 VDC.

BAPI’s Dual Channel “24/7” unit has been optimized for continuously occupied areas and features a three-point calibration process for enhanced stability, accuracy and reliability.

Barometric pressure changes can affect the output of CO₂ sensors, even putting them outside of their specified accuracy. The BAPI unit has a built-in Barometric sensor that continuously compensates the output for accurate readings despite the weather or altitude.

The 0 to 2,000 and 0 to 2,500 ppm units include CO₂ level indication by three LEDs on the front of the unit. A 60mm mounting base is also available to fit European style junction boxes.



**BAPI-Stat “Quantum”
CO₂ Sensors**

(Right unit shown w/ optional
60mm mounting base)

Specifications

Power: 12 to 24 VDC, 240 mA • 18 to 24 VAC, 12 VA Peak

CO₂ Sensing Element: Dual Channel Non-Dispersive Infrared (NDIR)

Field Selectable Output: 0 to 5 or 0 to 10 VDC >4KΩ impedance

Termination: 3 Terminals, 16 to 22 AWG

Operating Environment:

32 to 122°F (0 to 50°C) • 0 to 95%RH non-condensing

Enclosure Material: ABS Plastic, Material Rated UL94 V-0

CO₂ Detection Range (ppm):

0 to 2,000, 0 to 2,500, 0 to 5,000, 0 to 10,000 and 0 to 50,000

Start-Up Time: <2 Minutes

Response Time:

<2 Minutes for 90% step change typical (after start-up)

Mounting: U.S. or European junction boxes or drywall mount

CO₂ Accuracy @ 77°F (25°C) and Sea Level:

0 to 2,000, 2,500 & 5,000 ppm Models:

<±(50 ppm +3% of measured value)

<±75 ppm at 600, 1,000 and 2,500 ppm

0 to 10,000 ppm Models: <±(100 ppm +5% of measured value)

0 to 50,000 ppm Models: <±75 ppm or 10% of reading
(whichever is greater)

CO₂ Drift Stability:

0 to 2,000, 2,500 and 5,000 ppm Models: ±20 ppm per year

0 to 10,000 ppm Models: ±20 ppm per year

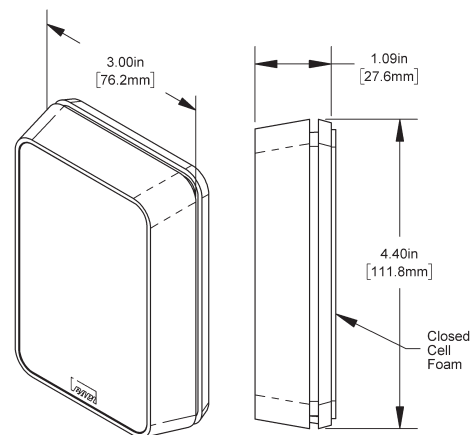
0 to 50,000 ppm Models: <5% of FS (over 10 years)
or <10% of reading annual

LED CO₂ Level Indicator (for 0 to 2,000 or 2,500 ppm units only):

Good <1,000 ppm • Fair =1,000 to 1,500 ppm • Poor >1,500 ppm

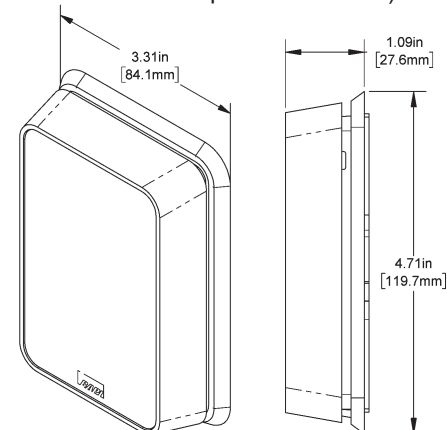
Agency: RoHS, CE, Title 24 Requirements,

Addendum ab to ASHRAE Standard 62.1-2022



Unit Dimensions

(bottom unit shown w/ 60mm mounting
base for European wall boxes)





Ordering Information: BAPI-Stat “Quantum” CO₂ Sensor

UNITS WITH STANDARD MOUNTING BASE

Part #	Description
BA/AQX-C.....	Dual Channel for Continuously Occupied Areas, 0 to 5V Output, 0 to 2,000 ppm Range
BA/AQX-D.....	Dual Channel for Continuously Occupied Areas, 0 to 10V Output, 0 to 2,000 ppm Range
BA/AQX-K.....	Dual Channel for Continuously Occupied Areas, 0 to 5V Output, 0 to 2,500 ppm Range
BA/AQX-L.....	Dual Channel for Continuously Occupied Areas, 0 to 10V Output, 0 to 2,500 ppm Range
BA/AQX-E.....	Dual Channel for Continuously Occupied Areas, 0 to 5V Output, 0 to 5,000 ppm Range
BA/AQX-F.....	Dual Channel for Continuously Occupied Areas, 0 to 10V Output, 0 to 5,000 ppm Range
BA/AQX-G.....	Dual Channel for Continuously Occupied Areas, 0 to 5V Output, 0 to 10,000 ppm Range
BA/AQX-H.....	Dual Channel for Continuously Occupied Areas, 0 to 10V Output, 0 to 10,000 ppm Range
BA/AQX-I.....	Dual Channel for Continuously Occupied Areas, 0 to 5V Output, 0 to 50,000 ppm Range
BA/AQX-J.....	Dual Channel for Continuously Occupied Areas, 0 to 10V Output, 0 to 50,000 ppm Range

UNITS WITH 60MM MOUNTING BASE

Part #	Description
BA/AQX60-C....	Dual Channel for Continuously Occupied Areas, 0 to 5V Output, 0 to 2,000 ppm Range
BA/AQX60-D....	Dual Channel for Continuously Occupied Areas, 0 to 10V Output, 0 to 2,000 ppm Range
BA/AQX60-K....	Dual Channel for Continuously Occupied Areas, 0 to 5V Output, 0 to 2,500 ppm Range
BA/AQX60-L....	Dual Channel for Continuously Occupied Areas, 0 to 10V Output, 0 to 2,500 ppm Range
BA/AQX60-E....	Dual Channel for Continuously Occupied Areas, 0 to 5V Output, 0 to 5,000 ppm Range
BA/AQX60-F....	Dual Channel for Continuously Occupied Areas, 0 to 10V Output, 0 to 5,000 ppm Range
BA/AQX60-G....	Dual Channel for Continuously Occupied Areas, 0 to 5V Output, 0 to 10,000 ppm Range
BA/AQX60-H....	Dual Channel for Continuously Occupied Areas, 0 to 10V Output, 0 to 10,000 ppm Range
BA/AQX60-I....	Dual Channel for Continuously Occupied Areas, 0 to 5V Output, 0 to 50,000 ppm Range
BA/AQX60-J....	Dual Channel for Continuously Occupied Areas, 0 to 10V Output, 0 to 50,000 ppm Range

Your Number: BA/

Associated Products

BAPI VC350A or VC350A-EZ VOLTAGE CONVERTERS

The CO₂ unit requires 240mA of current to operate correctly. If this is more current than can be provided by the controller power output, then the unit can be powered by a BAPI VC350A or VC350A-EZ Voltage Converter. See the Accessories section for more info.



VC350A-EZ Voltage Converter

